

PARTS LIST

**SOFTEK® • STEERTEK NXT •
STEERTEK • AIRTEK® for
International Truck Vehicles**

LIT NO: SP-182

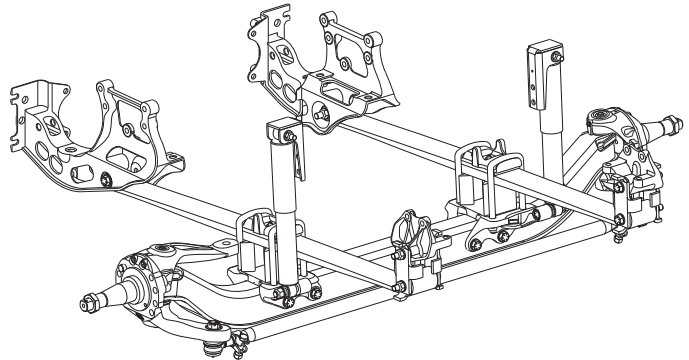
DATE: December 2011

REVISION: D

CONTENTS

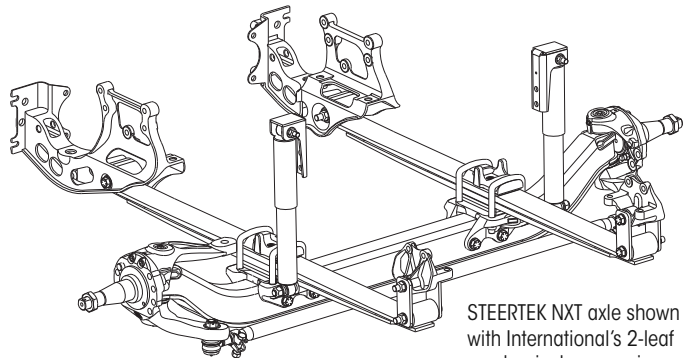
SOFTEK Monoleaf

- Vehicles built with **STEERTEK NXT** axle
AFTER August 1, 2011 2
 - LoneStar - 12.35K
 - ProStar - 12K, 12.35K
 - TranStar - 12K
- Vehicles built with **STEERTEK** axle
PRIOR to August 1, 2011 6
 - LoneStar - 12.35K
 - ProStar - 12K, 12.35K
 - TranStar - 12K
 - 9200 / 9400 / 8600 - 12K



2-Leaf Mechanical Suspension

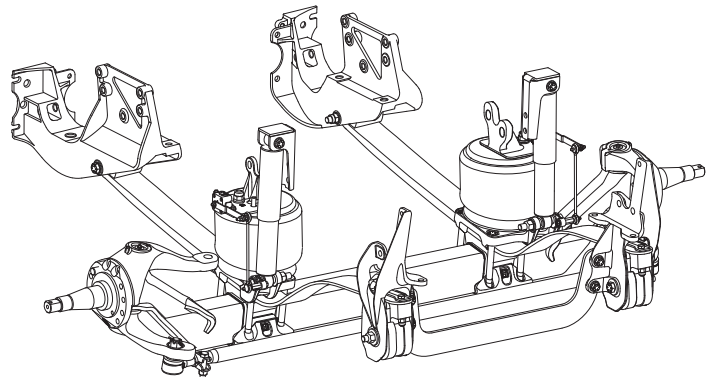
- Vehicles built with **STEERTEK NXT** axle
AFTER August 1, 2011 8
 - ProStar - 12K, 12.35K, 13.2K, 14K, 14.6K
 - TranStar - 12K, 12.35K, 14K
 - LoneStar - 12.35K, 13.2K, 14K, 14.6K
- Vehicles built with **STEERTEK** axle
PRIOR to August 1, 2011 12
 - ProStar - 12K, 12.35K, 13.2K, 14K, 14.6K
 - TranStar - 12K, 13K, 14K
 - LoneStar - 12.35K, 13.2K, 14K, 14.6K
 - 9200 / 9400 / 8600 - 12K



STEERTEK NXT axle shown
with International's 2-leaf
mechanical suspension

AIRTEK

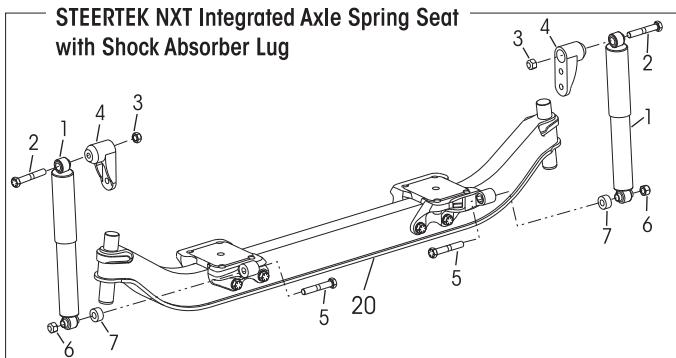
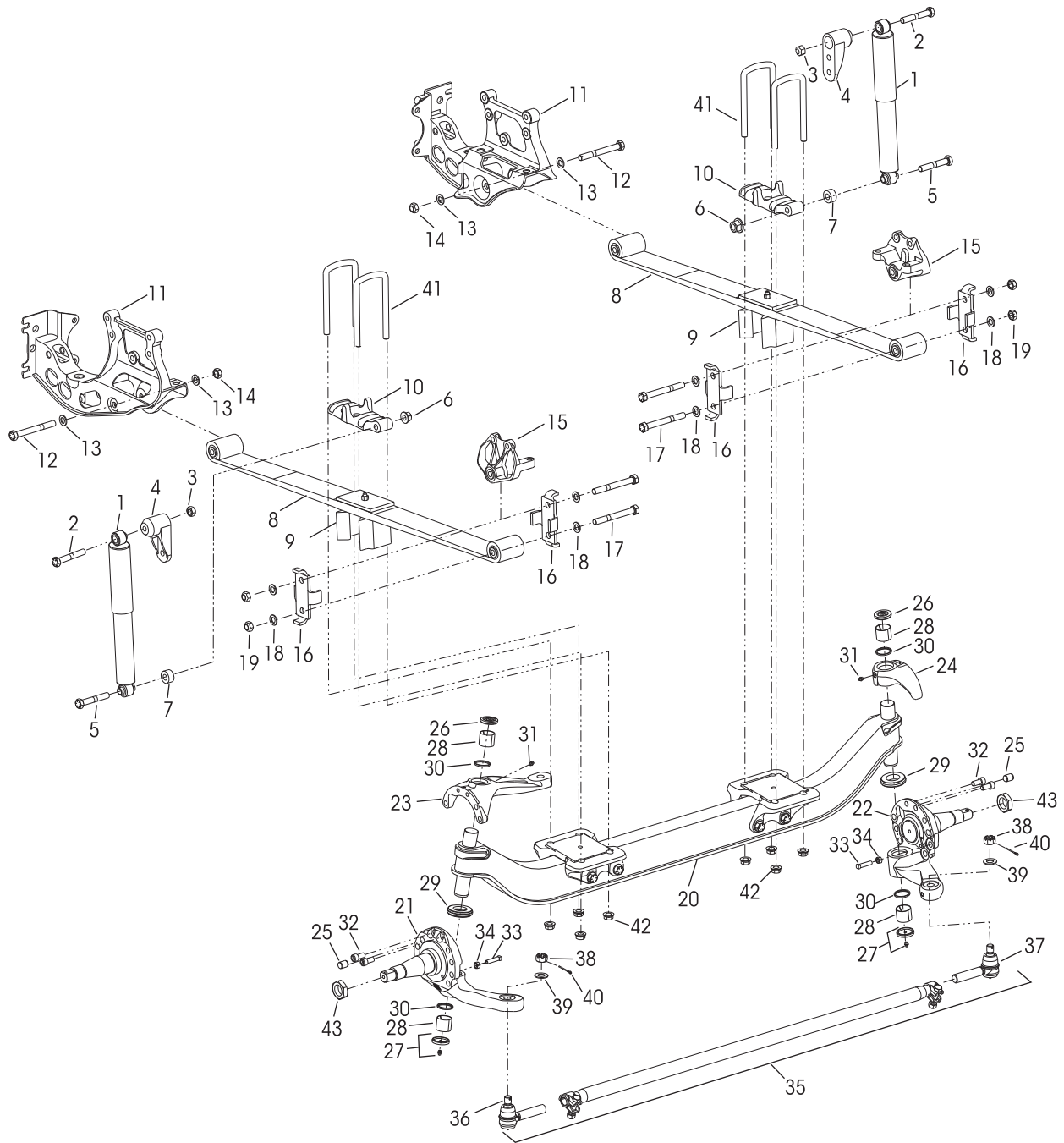
- New Engine Configuration (NEC)
Vehicles built **AFTER** 9/06 14
- Prior to New Engine Configuration (PEC)
Vehicles built **PRIOR** to 9/06 16
- Dual Height Control Valve Conversion Service Kit ... 18
- PEC Replacement Service Kits Reference 19
- PEC Component Replacement Guide 19





Vehicles built with STEERTEK NXT axle after August 1, 2011

International Truck Models • LoneStar - 12.35K • ProStar - 12K, 12.35K • TranStar - 12K





SOFTEK® Monoleaf with STEERTEK NXT Axle for International Truck Vehicles

KEY NO.	PART NO.	DESCRIPTION	NO.REQ.	KEY NO.	PART NO.	DESCRIPTION	NO.REQ.
1		*Shock Absorber	2		60961-630	Kingpin Bushing and Roller Thrust Bearing Service Kit, One Side,	
2		*5/8"-11 UNC 4.0" Upper Shock Flange Bolt	2			Includes Key Nos. 26-30, 32, Loctite	
3		*5/8"-11 UNC Upper Shock Flange Locknut	2	26	68687-003	Grease Cap Assembly, Upper	2
4		*Upper Shock Bracket	2	27	68687-002	Grease Cap Assembly, Lower	2
5		*3/4"-10 UNC 5.0" Lower Shock Flange Bolt	2	28	58909-001	Kingpin Bushing	4
6		*3/4"-10 UNC Lower Shock Flange Locknut	2	29	64256-000	Roller Thrust Bearing	2
7		*Shock Spacer (if equipped)	2	30	68731-000	Kingpin Seal	4
8		Monoleaf Spring Assembly, Includes Key No.9	2	31	33117-000	Grease Fitting	2
	53297-000	Models LoneStar, ProStar		32	60236-001	5/8"-11 UNC Socket Head Cap Screw	4
	53297-008	Model TranStar		Not Shown	60937-000	Loctite® (Red) Compound Tube	1
9		**Front Axle Spacer	2		60961-069	Stop Bolt Service Kit, One Side,	
10		*Top Pad	2			Includes Key Nos. 33-34	
11		*Front Hanger	2	33	60238-001	1/2"-13 UNC Square Head Bolt	2
12		*3/4"-10 UNC 8.5" Hex Bolt	2	34	60240-000	1/2"-13 UNC Hex Jam Nut	2
13		*3/4" Flat Washer	4	35		Tie Rod Assembly, Includes Key Nos. 36-38	1
14		*3/4"-10 UNC Locknut	2			<i>See chart on pages 4-5</i>	
15		*Rear Spring Mount	2		60961-010	Tie Rod End Service Kit, Axle Set,	
16	66545-000	Shackle Plate	4			Includes Kit Nos. 60961-025 & -26	
17		*3/4"-16 UNF 6.5" Bolt	4		60961-025	LH Tie Rod End Service Kit,	
18		*3/4" Flat Washer	8			Includes Key Nos. 36, 39-40	
19		*3/4"-16 UNF Locknut	4		60961-026	RH Tie Rod End Service Kit,	
		STEERTEK NXT Axle Assembly, Includes Key Nos. 20-43, <i>See chart on pages 4-5</i>	1			Includes Key Nos. 37, 39-40	
20		***Axle & Kingpin Assembly, <i>See chart on pages 4-5</i>	1	36	64000-001	LH Tie Rod End	1
21		LH Lower Steering Knuckle Assembly <i>See chart on pages 4-5</i>	1	37	64000-002	RH Tie Rod End	1
22		RH Lower Steering Knuckle Assembly <i>See chart on pages 4-5</i>	1	38		**7/8" Castle Nut	2
23		LH Upper Steering Knuckle Assembly <i>See chart on pages 4-5</i>	1	39	22962-007	7/8" Flat Washer	2
24		RH Upper Steering Knuckle Assembly <i>See chart on pages 4-5</i>	1	40	17800-004	Tie Rod Nut Cotter Pin	2
25	64246-000	ABS Sensor Sleeve	2	41		*3/4"-16 UNF U-bolt	4
						7.75" Ride Ht. - 9" Long	
						7.00" Ride Ht. - 8.25" Long	
				42		*3/4" Flange Locknut	8
				43	64578-000	1 1/2"-12 UNF Spindle Nut	2

NOTE: * Not supplied by Hendrickson, used for reference only. Refer to the vehicle manufacturer for more information.

** Item included in assembly only, part not sold separately.

*** Axle spring seats come assembled with the axle beam and are not serviceable.



SOFTEK Monoleaf – Vehicles built with STEERTEK NXT after August 1, 2011
International Truck Models ProStar

CAPACITY	MOUNTING FASTENERS	WHEEL BASE	KPI	STEERTEK NXT Assembly	Axle & Kingpin Assembly	LH Lower Steering Knuckle Assembly	RH Lower Steering Knuckle Assembly	LH Upper Steering Knuckle Assembly	RH Upper Steering Knuckle Assembly	Tie Rod Assembly	
				Key No. 20	Key No. 21	Key No. 22	Key No. 23	Key No. 24	Key No. 35		
PART NUMBERS											
12K	3/4"	Below 200"	70.87	68997-003	68996-001M	58900-493	58900-494	60903-463	60904-432	60239-005	
		Above 200"		68997-004		58900-473	58900-474			60239-002	
	3/4"	Below 200"	70.87	68997-047	68996-005M	58900-493	58900-494	60903-463	60904-432	60239-005	
		Above 200"		68997-048		58900-473	58900-474			60239-002	
	5/8"	Below 200"	70.87	68997-063	68996-001M	58900-293	58900-294	60903-263	60904-232	60239-005	
		Above 200"		68997-064		58900-273	58900-2w74			60239-002	
	5/8"	Below 200"	70.87	68997-099	68996-005M	58900-293	58900-294	60903-263	60904-232	60239-005	
		Above 200"		68997-100		58900-273	58900-274			60239-002	
	12.35K	3/4"	Below 200"	70.87	68997-043	68996-001M	58900-493	58900-494	60903-463	60904-432	60239-005
			Above 200"		68997-044		58900-473	58900-474			60239-002
		3/4"	Below 200"	69.00	68997-049	68996-006M	58900-493	58900-494	60903-462	60904-432	60239-004
			Above 200"		68997-050		58900-473	58900-474			60239-005
5/8"		Below 200"	70.87	68997-095	68996-001M	58900-293	58900-294	60903-263	60904-232	60239-005	
		Above 200"		68997-096		58900-273	58900-274			60239-002	
5/8"		Below 200"	69.00	68997-101	68996-006M	58900-293	58900-294	60903-262	60904-232	60239-004	
		Above 200"		68997-102		58900-273	58900-274			60239-005	

Items shown in gray denotes STEERTEK NXT integrated axle spring seat **without** shock absorber lug.



**SOFTEK Monoleaf – Vehicles built with STEERTEK NXT after August 1, 2011
International Truck Models LoneStar / TranStar**

	CAPACITY	MOUNTING FASTENERS	WHEEL BASE	KPI	STEERTEK NXT Assembly	Axle & Kingpin Assembly	LH Lower Steering Knuckle Assembly	RH Lower Steering Knuckle Assembly	LH Upper Steering Knuckle Assembly	RH Upper Steering Knuckle Assembly	Tie Rod Assembly
					Key No. 20	Key No. 21	Key No. 22	Key No. 23	Key No. 24	Key No. 35	
					PART NUMBERS						
Model LoneStar	12.35K	¾"	Below 200"	70.87	68997-015	68996-001M	58900-493	58900-494	60903-468	60904-432	60239-005
			Above 200"		68997-016		58900-473	58900-474			60239-002
		⅝"	Below 200"	70.87	68997-075		58900-293	58900-294	60903-468	60904-232	60239-005
			Above 200"		68997-076		58900-273	58900-274			60239-002

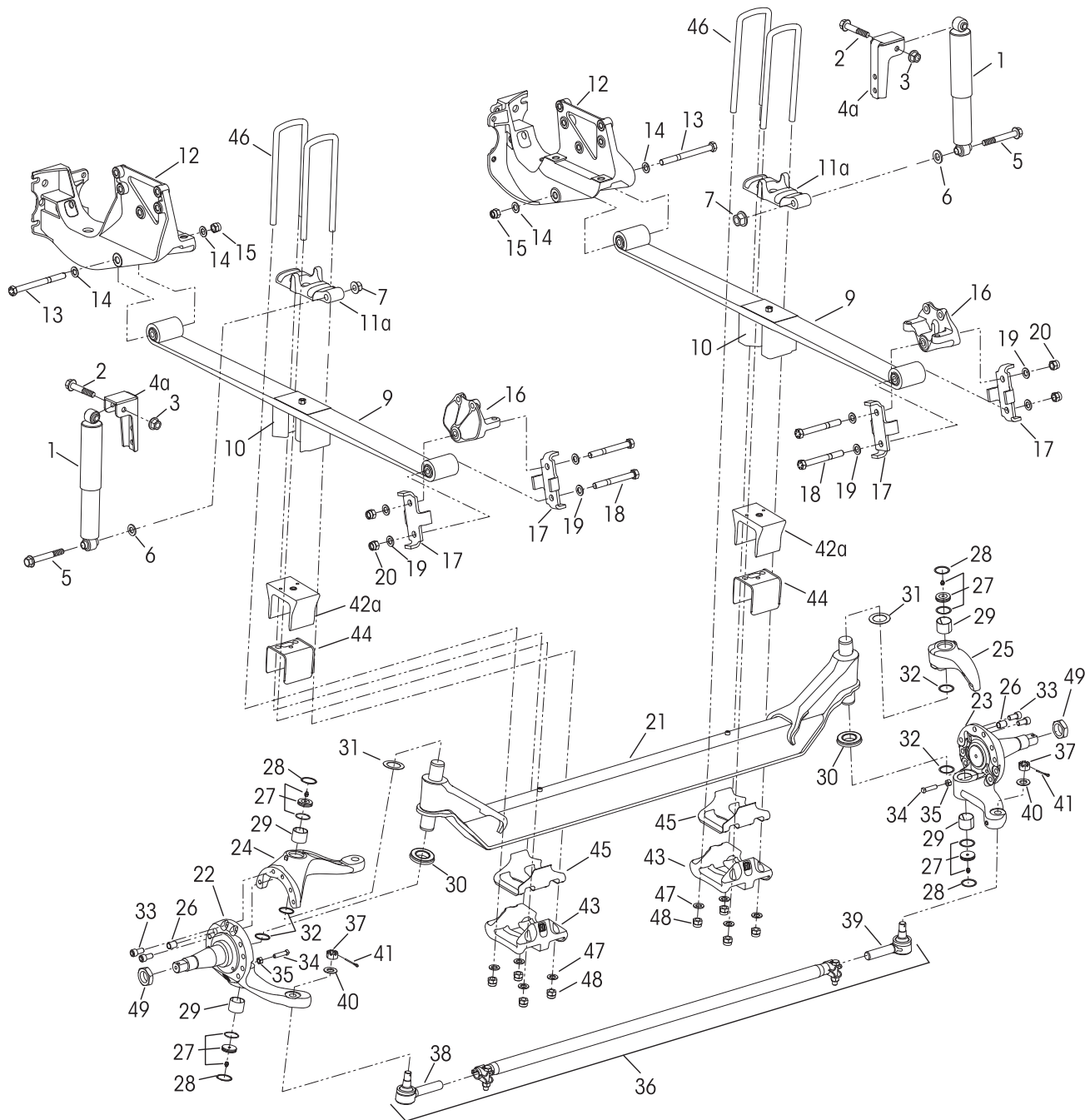
Model TranStar	12K	¾"	Below 200"	70.87	68997-029	68996-001M	58900-493	58900-494	60903-467	60904-432	60239-005	
			Above 200"		68997-030		58900-473	58900-474			60239-002	
			Below 200"	69.00	68997-033		68996-002M	58900-493	58900-494	60903-464	60904-432	60239-004
					Above 200"			68997-034	58900-473			58900-474
		⅝"	Below 200"	70.87	68997-087	68996-001M	58900-293	58900-294	60903-267	60904-232	60239-005	
					Above 200"		68997-088	58900-273			58900-274	60239-002
			Below 200"	69.00	68997-089		68996-002M	58900-293	58900-294	60903-264	60904-232	60239-004
					Above 200"			68997-090	58900-273			58900-274



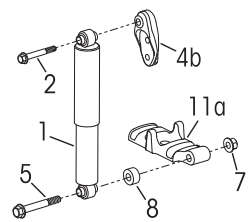
Vehicles built with STEERTEK axle prior to August 1, 2011

International Truck Models

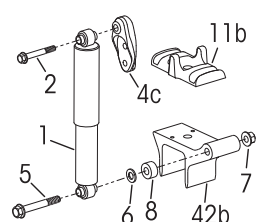
- LoneStar - 12.35K • ProStar - 12K, 12.35K • TranStar - 12K • 9200 / 9400 / 8600 - 12K



Shock Absorber connection for LoneStar



Shock Absorber connection for ProStar





SOFTEK® Monoleaf with STEERTEK Axle for International Truck Vehicles

KEY NO.	PART NO.	DESCRIPTION	NO.REQ.	KEY NO.	PART NO.	DESCRIPTION	NO.REQ.
1		*Shock Absorber	2	24		LH Upper Steering Knuckle Assembly	1
2		*5/8"-11 UNC 4.0" Upper Shock Flange Bolt	2		60903-056	Model LoneStar	
3		*5/8"-11 UNC Upper Shock Flange Locknut	2		60903-042	Models ProStar, 9200/9400	
4		*Upper Shock Bracket	2		60903-044	Model 8600 / TranStar	
a		Models 9200/9400/8600		25	60904-034	RH Upper Steering Knuckle Assembly	1
b		Model LoneStar		26	64246-000	ABS Sensor Sleeve	2
c		Model ProStar			60961-039	Kingpin Bushing and Roller Thrust Bearing Service Kit, One Side, Includes Key Nos. 27-33, Loctite	
5		*3/4"-10 UNC 5.0" Lower Shock Flange Bolt	2	27	59156-000	Grease Cap Assembly	4
6		*3/4" Lower Shock Hardened Washer	2	28	58937-000	Retaining Ring	4
7		*3/4"-10 UNC Lower Shock Flange Locknut	2	29	58909-000	Kingpin Bushing	4
8		*Shock Spacer - 19mm	2		60961-042	Roller Thrust Bearing Service Kit, One Side, Includes Key Nos. 30-33, Loctite	
9		Monoleaf Spring Assembly, Includes Key No. 10	2	30	64256-000	Roller Thrust Bearing	2
	53297-000	Models LoneStar, ProStar, 9200/9400 <i>Replaces 67399-001, 66347-001</i>		31		Kingpin Shim (As Needed for Service) 0.047" Thickness	2
	53298-000	Model TranStar, 8600 <i>Replaces 67399-002, 66347-002</i>			60259-001	0.005" Thickness	4
10		**Front Axle Spacer	2	32	58910-001	Kingpin Seal, <i>Replaces 58910-000</i>	4
11		*Top Pad,		33	60236-001	5/8"-11 UNC Socket Head Cap Screw	4
a		Models LoneStar/TranStar/9200/9400/8600	2	Not Shown	60937-000	Loctite® (Red) Compound Tube	1
b		Models ProStar	2		60961-069	Stop Bolt Service Kit, One Side, Includes Key Nos. 34-35	
12		*Front Hanger	2	34	60238-001	1/2"-13 UNC Square Head Bolt	2
13		*3/4"-10 UNC 8.5" Hex Bolt	2	35	60240-000	1/2"-13 UNC Hex Jam Nut	2
14		*3/4" Flat Washer	4	36		Tie Rod Assembly, Includes Key Nos. 37-39 Above 200" Wheel Base	1
15		*3/4"-10 UNC Locknut	2		60239-002	Below 200" Wheel Base	
16		*Rear Spring Mount	2		60239-001	**7/8" Castle Nut	2
17	66545-000	Shackle Plate	4	37		Tie Rod End Service Kit, Axle Set, Includes Kit Nos. 60961-025 & -26	
18		*3/4"-16 UNF 6.5" Bolt	4		60961-025	LH Tie Rod End Service Kit, Includes Key Nos. 38, 40-41	
19		*3/4" Flat Washer	8		60961-026	RH Tie Rod End Service Kit, Includes Key Nos. 39-41	
20		*3/4"-16 UNF Locknut	4	38	64000-001	LH Tie Rod End	1
		STEERTEK Axle Assembly, Includes Key Nos. 21-45	1	39	64000-002	RH Tie Rod End	1
	70952-311	Model LoneStar, 12.35K Above 200" Wheel Base		40	22962-007	7/8" Flat Washer	2
	70952-310	Below 200" Wheel Base		41	17800-004	Tie Rod Nut Cotter Pin	2
	70952-313	Model ProStar, 12K Above 200" Wheel Base		42		Top Axle Wrap	2
	70952-312	Below 200" Wheel Base		a	59952-023	Models LoneStar/9200/9400/8600	
	70952-278	Models 9200/9400, 12K Above 200" Wheel Base		b	59952-032	Model ProStar	
	70952-279	Below 200" Wheel Base		43	64722-003	Bottom Axle Wrap	2
	70952-280	Model 8600 / TranStar, 12K Above 200" Wheel Base		44	65757-000	Top Axle Wrap Liner	2
	70952-281	Below 200" Wheel Base		45	59845-000	Bottom Axle Wrap Liner	2
21	64905-001	Axle & Kingpin Assembly	1	46		*3/4"-16 UNF U-bolt 7.75" Ride Ht. - 13" Long	4
22		LH Lower Steering Knuckle Assembly	1			7.00" Ride Ht. - 12.25" Long	
	58900-073	Above 200" Wheel Base		47		*3/4" Flat Washer	8
	58900-075	Below 200" Wheel Base		48		*3/4"-16 UNF Locknut	8
23		RH Lower Steering Knuckle Assembly	1	49	64578-000	1 1/2"-12 UNF Spindle Nut	2
	58900-074	Above 200" Wheel Base					
	58900-076	Below 200" Wheel Base					

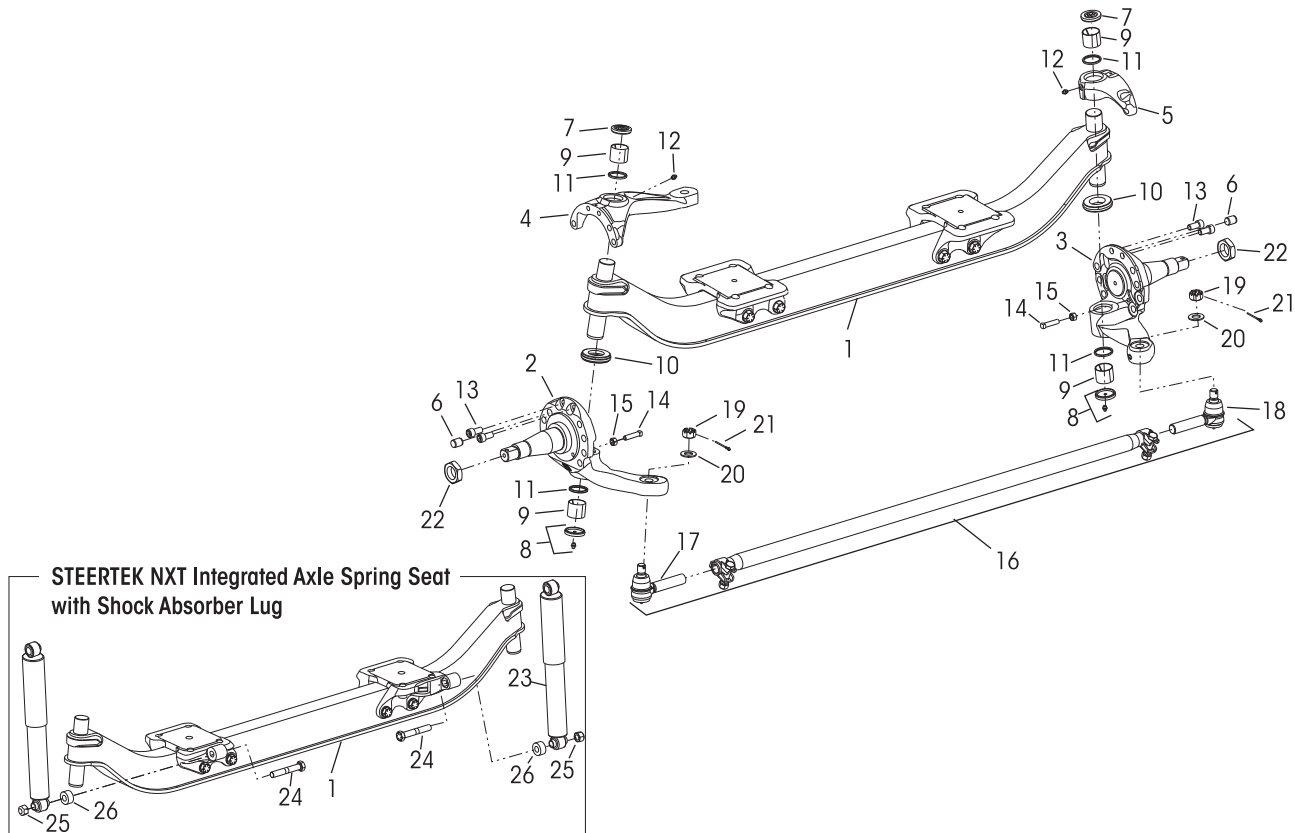
NOTE: * Not supplied by Hendrickson, used for reference only. Refer to the vehicle manufacturer for more information.

** Item included in assembly only, part not sold separately.



Vehicles built with STEERTEK NXT axle after August 1, 2011

International Truck Models • ProStar - 12K, 12.35K, 13.2K, 14K, 14.6K • TranStar - 12K, 12.35K, 14K • LoneStar - 12.35K, 13.2K, 14K, 14.6K



KEY NO.	PART NO.	DESCRIPTION	NO.REQ.
		STEERTEK NXT Axle Assembly, Includes Key Nos. 1-22, <i>See chart on page 9</i>	1
1		***Axle & Kingpin Assembly <i>See chart on page 9</i>	1
2		LH Lower Steering Knuckle Assembly	1
	58900-473	Above 200" Wheel Base	
	58900-493	Below 200" Wheel Base	
3		RH Lower Steering Knuckle Assembly	1
	58900-474	Above 200" Wheel Base	
	58900-494	Below 200" Wheel Base	
4		LH Upper Steering Knuckle Assembly <i>See chart on page 9</i>	1
5	60904-432	RH Upper Steering Knuckle Assembly	1
6	64246-000	ABS Sensor Sleeve	2
	60961-630	Kingpin Bushing and Roller Thrust Bearing Service Kit, One Side, Includes Key Nos. 7-11, 13 and Loctite	
7	68687-003	Grease Cap Assembly, Upper	2
8	68687-002	Grease Cap Assembly, Lower	2
9	58909-001	Kingpin Bushing	4
10	64256-000	Roller Thrust Bearing	2
11	68731-000	Kingpin Seal	4
12	33117-000	Grease Fitting	2
13	60236-001	5/8"-11 UNC Socket Head Cap Screw	4
Not Shown	60937-000	Loctite® (Red) Compound Tube	1
	60961-069	Stop Bolt Service Kit, One Side, Includes Key Nos. 14-15	
14	60238-001	1/2"-13 UNC Square Head Bolt	2

15	60240-000	1/2"-13 UNC Hex Jam Nut	2
16		Tie Rod Assembly, Includes Key Nos. 17-19 <i>See chart on page 9</i>	1
		Tie Rod End Service Kit, Axle Set	
	60961-010	12K, Includes Kit Nos. 60961-025 & -026	
	60961-011	14K, Includes Kit Nos. 60961-027 & -028	
		LH Tie Rod End Service Kit	
	60961-025	12K, Includes Key Nos. 17a, 20-21	
	60961-027	14K, Includes Key Nos. 17b, 20-21	
		RH Tie Rod End Service Kit,	
	60961-026	12K, Includes Key Nos. 18a, 20-21	
	60961-028	14K, Includes Key Nos. 18b, 20-21	
17		LH Tie Rod End	1
	64000-001	12K	
	64002-001	14K	
18		RH Tie Rod End	1
	64000-002	12K	
	64002-002	14K	
19		**7/8" Castle Nut	2
20	22962-007	7/8" Flat Washer	2
21	17800-004	Tie Rod Nut Cotter Pin	2
22	64578-000	1 1/2"-12 UNF Spindle Nut	2
23		*Shock Absorber	2
24		*3/4"-10 UNC 5.0" Lower Shock Flange Bolt	2
25		*3/4"-10 UNC Lower Shock Hex Flange Locknut	2
26		*Shock Spacer (if equipped)	2



STEERTEK NXT for International Truck 2-Leaf Mechanical Suspension

Vehicles built with STEERTEK NXT for International Truck 2-Leaf Mechanical Suspension
International Truck Models ProStar / TranStar / LoneStar

CAPACITY	MOUNTING FASTENERS	WHEEL BASE	KPI	STEERTEK NXT Assembly	Axle & Kingpin Assembly Key No. 1	LH Upper Steering Knuckle Assembly Key No. 4	Tie Rod Assembly Key No. 16
				PART NUMBERS			
12K	¾"	Below 200"	69.00	68997-001	68996-002M	60903-462	60239-004
		Above 200"		68997-002			60239-005
		Below 200"	70.87	68997-003	68996-001M	60903-463	60239-005
		Above 200"		68997-004			60239-002
	¾"	Below 200"	69.00	68997-045	68996-006M	60903-462	60239-004
		Above 200"		68997-046			60239-005
		Below 200"	70.87	68997-047	68996-005M	60903-463	60239-005
		Above 200"		68997-048			60239-002
	⅝"	Below 200"	69.00	68997-061	68996-002M	60903-262	60239-004
		Above 200"		68997-062			60239-005
		Below 200"	70.87	68997-063	68996-001M	60903-263	60239-005
		Above 200"		68997-064			60239-002
	⅝"	Below 200"	69.00	68997-097	68996-006M	60903-262	60239-004
		Above 200"		68997-098			60239-005
		Below 200"	70.87	68997-099	68996-005M	60903-263	60239-005
		Above 200"		68997-100			60239-002
12.35K	¾"	Below 200"	69.00	68997-005	68996-002M	60903-462	60239-004
		Above 200"		68997-006			60239-005
		Below 200"	70.87	68997-043	68996-001M	60903-463	60239-005
		Above 200"		68997-044			60239-002
	¾"	Below 200"	69.00	68997-049	68996-006M	60903-462	60239-004
		Above 200"		68997-050			60239-005
		Below 200"	70.87	68997-059	68996-005M	60903-463	60239-005
		Above 200"		68997-060			60239-002
	⅝"	Below 200"	69.00	68997-065	68996-002M	60903-262	60239-004
		Above 200"		68997-066			60239-005
		Below 200"	70.87	68997-095	68996-001M	60903-263	60239-005
		Above 200"		68997-096			60239-002
	⅝"	Below 200"	69.00	68997-101	68996-006M	60903-262	60239-004
		Above 200"		68997-102			60239-005
		Below 200"	70.87	68997-111	68996-005M	60903-263	60239-005
		Above 200"		68997-112			60239-002
13.2K	¾"	Below 200"	70.87	68997-007	68996-003M	60903-463	64006-001
		Above 200"		68997-008			64006-002
		Below 200"	69.00	68997-009	68996-004M	60903-462	64006-001
		Above 200"		68997-010			64006-001
	¾"	Below 200"	70.87	68997-051	68996-007M	60903-463	64006-001
		Above 200"		68997-052			64006-002
		Below 200"	69.00	68997-053	68996-008M	60903-462	64006-001
		Above 200"		68997-054			64006-001
	⅝"	Below 200"	70.87	68997-067	68996-003M	60903-263	64006-001
		Above 200"		68997-068			64006-002
		Below 200"	69.00	68997-069	68996-004M	60903-262	64006-001
		Above 200"		68997-070			64006-001
	⅝"	Below 200"	70.87	68997-103	68996-007M	60903-263	64006-001
		Above 200"		68997-104			64006-002
		Below 200"	69.00	68997-105	68996-008M	60903-262	64006-001
		Above 200"		68997-106			64006-001

Items shown in gray denotes STEERTEK NXT integrated axle spring seat **without** shock absorber lug.

Continued on Page 8



Vehicles built with STEERTEK NXT for International Truck 2-Leaf Mechanical Suspension International Truck Models ProStar / TranStar / LoneStar

				STEERTEK NXT Assembly	Axle & Kingpin Assembly Key No. 1	LH Upper Steering Knuckle Assembly Key No. 4	Tie Rod Assembly Key No. 16
CAPACITY	MOUNTING FASTENERS	WHEEL BASE	KPI	PART NUMBERS			
14K	¾"	Below 200"	69.00	68997-011	68996-004M	60903-462	64006-001
		Above 200"		68997-012			
	¾"	Below 200"	69.00	68997-055	68996-008M	60903-462	64006-001
		Above 200"		68997-056			
	⅝"	Below 200"	69.00	68997-071	68996-004M	60903-262	64006-001
		Above 200"		68997-072			
	⅝"	Below 200"	69.00	68997-107	68996-008M	60903-262	64006-001
		Above 200"		68997-108			
14.6K	¾"	Below 200"	69.00	68997-013	68996-004M	60903-462	64006-001
		Above 200"		68997-014			
	¾"	Below 200"	69.00	68997-057	68996-008M	60903-462	64006-001
		Above 200"		68997-058			
	⅝"	Below 200"	69.00	68997-073	68996-004M	60903-262	64006-001
		Above 200"		68997-074			
	⅝"	Below 200"	69.00	68997-109	68996-008M	60903-262	64006-001
		Above 200"		68997-110			

12.35K	¾"	Below 200"	70.87	68997-015	68996-001M	60903-468	60239-005	
		Above 200"		68997-016			60239-002	
	⅝"	Below 200"	70.87	68997-075	68996-001M	60903-268	60239-005	
		Above 200"		68997-076			60239-002	
	13.2K	¾"	Below 200"	70.87	68997-017	68996-003M	60903-468	64006-001
			Above 200"		68997-018			64006-002
			Below 200"	69.00	68997-019	68996-004M	60903-465	64006-001
			Above 200"		68997-020			
		⅝"	Below 200"	70.87	68997-077	68996-003M	60903-268	64006-001
			Above 200"		68997-078			64006-002
			Below 200"	69.00	68997-079	68996-004M	60903-265	64006-001
			Above 200"		68997-080			
	14K	¾"	Below 200"	70.87	68997-021	68996-003M	60903-469	64006-001
			Above 200"		68997-022			64006-002
			Below 200"	69.00	68997-023	68996-004M	60903-466	64006-001
			Above 200"		68997-024			
⅝"		Below 200"	70.87	68997-081	68996-003M	60903-269	64006-001	
		Above 200"		68997-082			64006-002	
		Below 200"	69.00	68997-083	68996-004M	60903-266	64006-001	
		Above 200"		68997-084				
14.6K	¾"	Below 200"	69.00	68997-025	68996-004M	60903-466	64006-001	
		Above 200"		68997-026				
	⅝"	Below 200"	69.00	68997-085	68996-004M	60903-266	64006-001	
		Above 200"		68997-086				

Items shown in gray denotes STEERTEK NXT integrated axle spring seat **without** shock absorber lug.

Continued on Page 11



STEERTEK NXT for International Truck 2-Leaf Mechanical Suspension

Vehicles built with STEERTEK NXT for International Truck 2-Leaf Mechanical Suspension International Truck Models ProStar / TranStar / LoneStar

				STEERTEK NXT Assembly	Axle & Kingpin Assembly Key No. 1	LH Upper Steering Knuckle Assembly Key No. 4	Tie Rod Assembly Key No. 16	
CAPACITY	MOUNTING FASTENERS	WHEEL BASE	KPI	PART NUMBERS				
				Model TranStar	12K	¾"	Below 200"	70.87
Above 200"		68997-030	60239-002					
¾"	Below 200"	69.00	68997-033			68996-002M	60903-464	60239-004
	Above 200"		68997-034					60239-005
½"	¾"	Below 200"	70.87		68997-087	68996-001M	60903-267	60239-005
		Above 200"			68997-088			60239-002
	½"	Below 200"	69.00		68997-089	68996-002M	60903-264	60239-004
		Above 200"			68997-090			60239-005
13K	¾"	Below 200"	70.87		68997-037	68996-003M	60903-467	64006-001
		Above 200"	70.87		68997-038			64006-002
	½"	Below 200"	70.87		68997-091	68996-003M	60903-267	64006-001
		Above 200"	70.87		68997-092			64006-002
14K	¾"	Below 200"	70.87	68997-041	68996-003M	60903-467	64006-001	
		Above 200"	70.87	68997-042			64006-002	
	½"	Below 200"	70.87	68997-093	68996-003M	60903-267	64006-001	
		Above 200"	70.87	68997-094			64006-002	

NOTE: * Not supplied by Hendrickson, used for reference only. Refer to the vehicle manufacturer for more information.

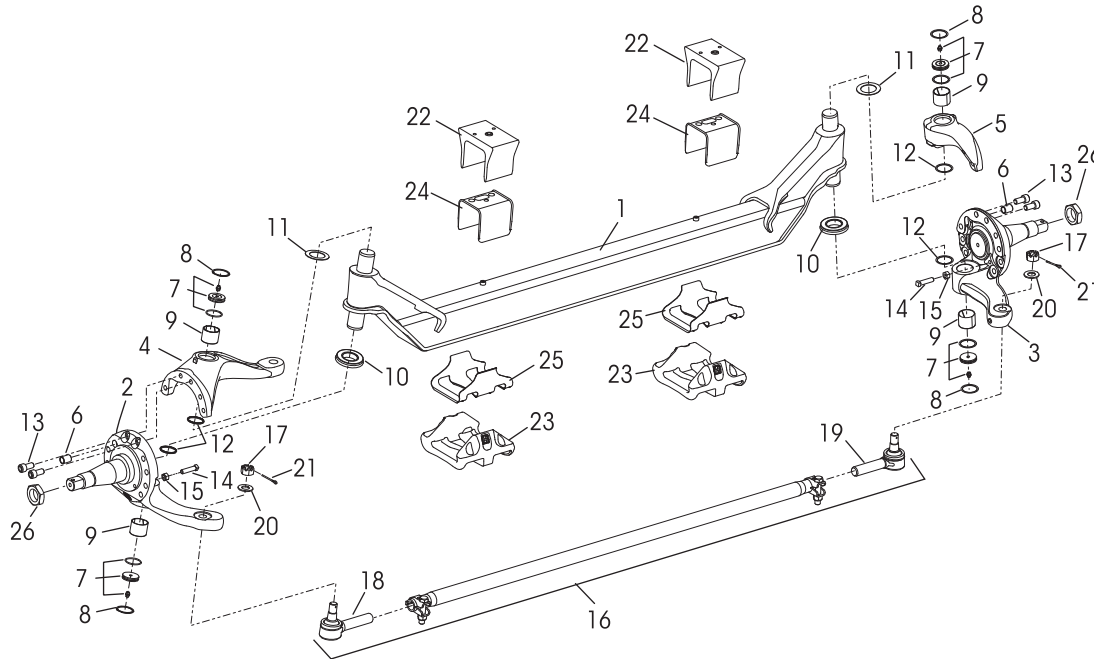
** Item included in assembly only, part not sold separately.

*** Axle spring seats come assembled with the axle beam and are not serviceable.



Vehicles built with STEERTEK axle prior to August 1, 2011

International Truck Models • ProStar - 12K, 12.35K, 13.2K, 14K, 14.6K • TranStar - 12K, 13K, 14K • LoneStar - 12.35K, 13.2K, 14K, 14.6K • 9200 / 9400 / 8600 - 12K



KEY NO.	PART NO.	DESCRIPTION	NO.REQ.
		STEERTEK Axle Assembly, Includes Key Nos. 1-26, See chart on page 13	1
1		Axle & Kingpin Assembly	1
	64905-001	Models 9200 / 9400 / LoneStar & TranStar-12K	
	64905-002	Model ProStar-12K, 12.35K	
	64905-005	Model TranStar-13K, 14K	
	64905-006	Model ProStar / LoneStar-13.2K, 14K, 1436K	
2		LH Lower Steering Knuckle Assembly See chart on page 13	1
3		RH Lower Steering Knuckle Assembly See chart on page 13	1
4		LH Upper Steering Knuckle Assembly See chart on page 13	1
5	60904-034	RH Upper Steering Knuckle Assembly	1
6	64246-000	ABS Sensor Sleeve	2
	60961-039	Kingpin Bushing and Roller Thrust Bearing Service Kit, One Side, Includes Key Nos. 7-13, Loctite	
7	59156-000	Grease Cap Assembly	4
8	58937-000	Retaining Ring	4
9	58909-000	Kingpin Bushing	4
	60961-042	Roller Thrust Bearing Service Kit, One Side, Includes Key Nos. 10-13, Loctite	
10	64256-000	Roller Thrust Bearing	2
11		Kingpin Shim (As Needed for Service)	
	60259-002	0.047" Thickness	2
	60259-001	0.005" Thickness	4
12	58910-001	Kingpin Seal, Replaces 58910-000	4
13	60236-001	5/8"-11 UNC Socket Head Cap Screw	4
Not Shown	60937-000	Loctite® (Red) Compound Tube	1

KEY NO.	PART NO.	DESCRIPTION	NO.REQ.
	60961-069	Stop Bolt Service Kit, One Side, Includes Key Nos. 14-15	
14	60238-001	1/2"-13 UNC Square Head Bolt	2
15	60240-000	1/2"-13 UNC Hex Jam Nut	2
16		Tie Rod Assembly, Includes Key Nos. 17-19 See chart on page 13	1
17		**7/8" Castle Nut	2
		Tie Rod End Service Kit, Axle Set	
	60961-010	12K, Includes Kit Nos. 60961-025 & -026	
	60961-011	14K, Includes Kit Nos. 60961-027 & -028	
		LH Tie Rod End Service Kit	
	60961-025	12K, Includes Key Nos. 18a, 20-21	
	60961-027	14K, Includes Key Nos. 18b, 20-21	
		RH Tie Rod End Service Kit,	
	60961-026	12K, Includes Key Nos. 19a, 20-21	
	60961-028	14K, Includes Key Nos. 19b, 20-21	
18		LH Tie Rod End	1
a	64000-001	12K	
b	64002-001	14K	
19		RH Tie Rod End	1
a	64000-002	12K	
b	64002-002	14K	
20	22962-007	7/8" Flat Washer	2
21	17800-004	Tie Rod Nut Cotter Pin	2
22		Top Axle Wrap, See chart on page 13	2
23	64722-003	Bottom Axle Wrap	2
24	65757-000	Top Axle Wrap Liner	2
25	59845-000	Bottom Axle Wrap Liner	2
26	64578-000	1 1/2"-12 UNF Spindle Nut	2



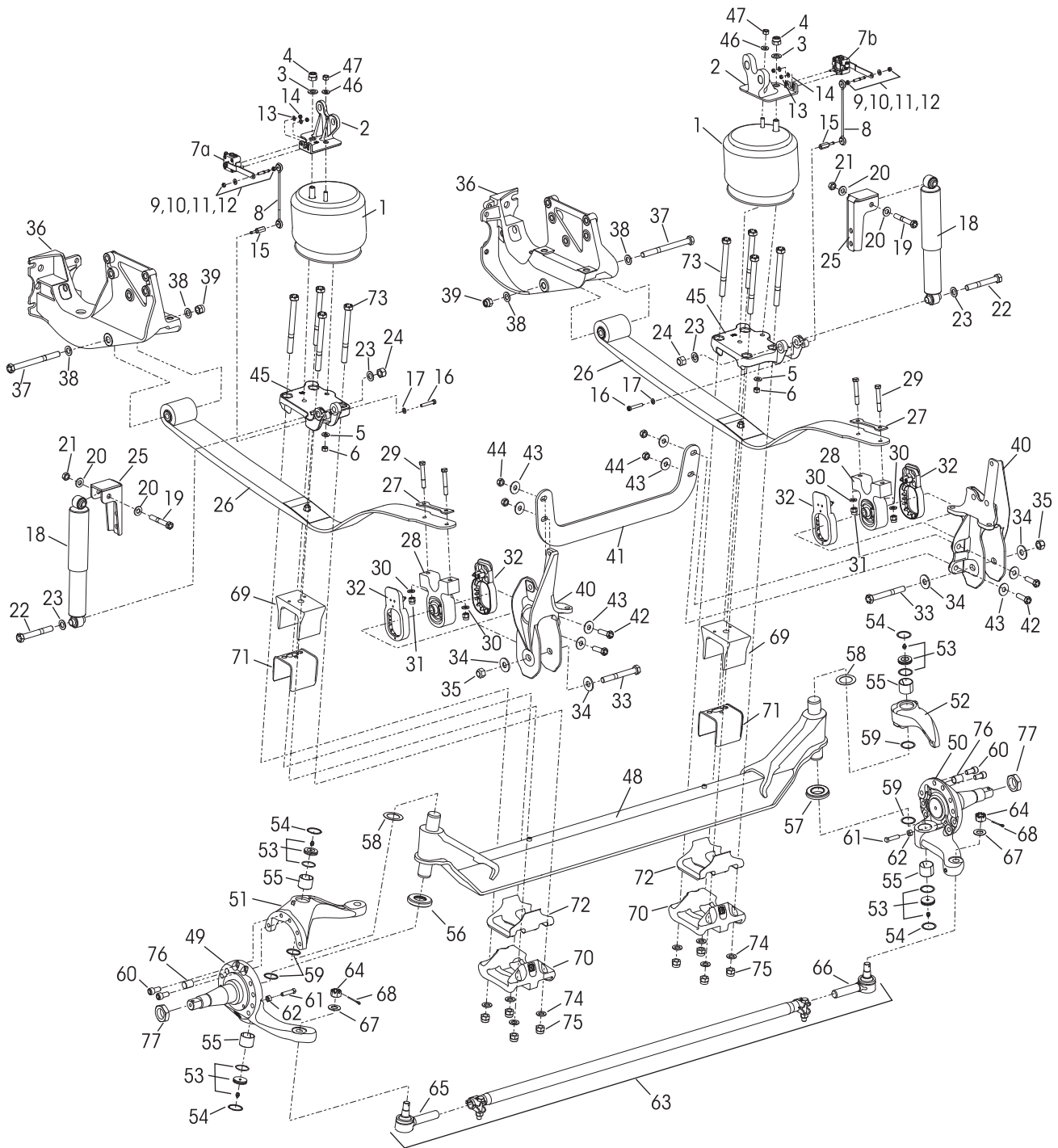
STEERTEK for International Truck 2-Leaf Mechanical Suspension

Vehicles built with STEERTEK axle for International Truck 2-Leaf Mechanical Suspension International Truck Models ProStar / TranStar / LoneStar / 9200 / 9400 / 8600

Model	CAPACITY	WHEEL BASE	KPI	STEERTEK Assembly	LH Lower Steering Knuckle Assembly Key No. 2	RH Lower Steering Knuckle Assembly Key No. 3	LH Upper Steering Knuckle Assembly Key No. 4	Tie Rod Assembly Key No. 16	Top Axle Wrap Key No. 22	
				PART NUMBERS						
Model ProStar	12K	Below 200"	69.0"	70952-351	58900-075	58900-076	60903-042	60239-004	59952-032	
		Above 200"		70952-352	58900-073	58900-074		60239-005		
	12.35K	Below 200"	70952-353	58900-075	58900-076	60239-004				
		Above 200"	70952-354	58900-073	58900-074	60239-005				
	13.2K	Below 200"	70.87"	70952-355	58900-075	58900-076		64006-001		
		Above 200"		70952-356	58900-073	58900-074		64006-002		
		Below 200"	69.0"	70952-357	58900-075	58900-076		64006-001		
		Above 200"		70952-358	58900-073	58900-074				
	14K	Below 200"	69.0"	70952-359	58900-075	58900-076				
		Above 200"		70952-390	58900-073	58900-074				
	14.6K	Below 200"	69.0"	70952-391	58900-075	58900-076				
		Above 200"		70952-392	58900-073	58900-074				
Model TranStar	12K	Below 200"	70.87"	70952-281	58900-075	58900-076	60903-044	60239-001	59952-023	
		Above 200"		70952-280	58900-073	58900-074		60239-002		
		Below 200"		70952-335	58900-093	58900-094		60239-001		
		Above 200"		70952-336	58900-091	58900-092		60239-002		
		Below 200"	69.0"	70952-337	58900-093	58900-094	60903-061	60239-004	59952-023	
		Above 200"		70952-338	58900-091	58900-092		60239-005		
		Below 200"		70952-339	58900-093	58900-094		60239-004		
		Above 200"		70952-340	58900-091	58900-092		60239-005		
	13K	Below 200"	70.87"	70952-341	58900-093	58900-094	60903-056	64006-001	59952-023	
		Above 200"		70952-342	58900-091	58900-092		64006-002		
		Below 200"		70952-343	58900-093	58900-094		64006-001	59952-032	
		Above 200"		70952-344	58900-091	58900-092		64006-002		
	14k	Below 200"	70.87"	70952-345	58900-093	58900-094	60903-061	64006-001	59952-023	
		Above 200"		70952-346	58900-091	58900-092		64006-002		
		Below 200"		70952-347	58900-093	58900-094		64006-001	59952-032	
		Above 200"		70952-348	58900-091	58900-092		64006-002		
Model LoneStar	12.35K	Below 200"	70.87"	70952-310	58900-075	58900-076	60903-056	60239-001	59952-023	
		Above 200"		70952-311	58900-073	58900-074		60239-002		
	13.2K	Below 200"	70.87"	70952-393	58900-075	58900-076		64006-001	59952-034	
		Above 200"		70952-394	58900-073	58900-074		64006-002		
		Below 200"	69.0"	70952-395	58900-075	58900-076		64006-001		59952-023
		Above 200"		70952-396	58900-073	58900-074				
	14K	Below 200"	70.87"	70952-397	58900-075	58900-076		64006-001	59952-034	
		Above 200"		70952-398	58900-073	58900-074				
		Below 200"	69.0"	70952-399	58900-075	58900-076			64006-001	59952-023
		Above 200"		70952-400	58900-073	58900-074				
	14.6K	Below 200"	69.0"	70952-401	58900-075	58900-076				
		Above 200"		70952-402	58900-073	58900-074				
Model 9200/9400	12K	Below 200"	70.87"	70952-279	58900-075	58900-076	60903-042	60239-001	59952-023	
Above 200"		70952-278		58900-073	58900-074	60239-002				

New Engine Configuration (NEC)

Vehicles built after 9/06 – International Truck Models 9200/9400

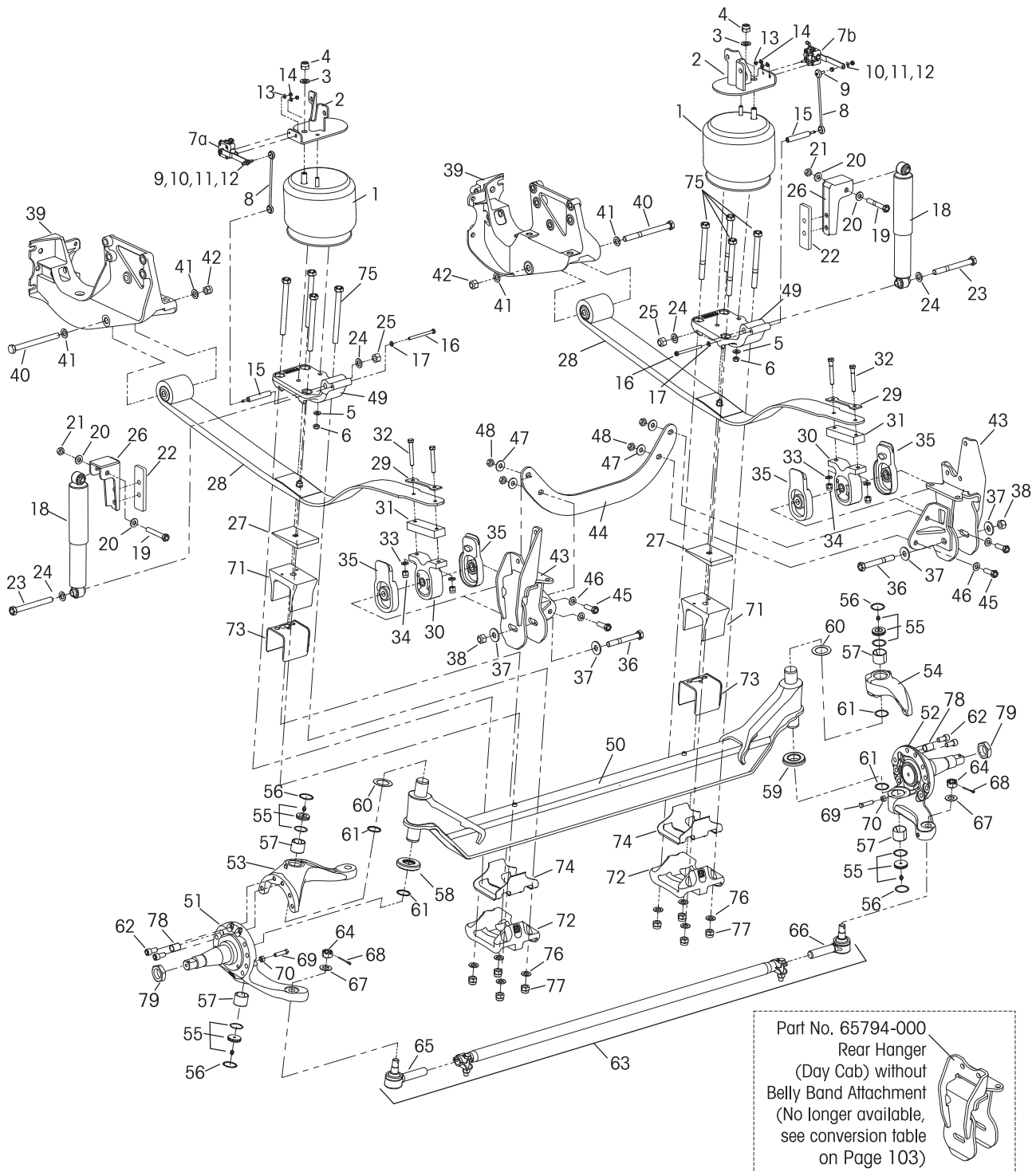




KEY NO.	PART NO.	DESCRIPTION	NO.REQ.	KEY NO.	PART NO.	DESCRIPTION	NO.REQ.
1	65790-002L	Air Spring	2	44		*5/8"-11 UNC Hex Locknut	4
2		Air Spring Bracket		45		Top Pad	
	66775-000	Left Hand	1		68318-001	Left Hand	1
	66776-000	Right Hand	1		68318-002	Right Hand	1
3		*3/4" Flat Washer	2	46		*1/2" Hardened Washer	2
4		*3/4"-16 UNF Nylon Locknut	2	47		*1/2"-13 UNC Nylon Locknut	2
5		*1/2" Hardened Washer	2		70952-0XX	Axle Assembly, Includes Key Nos. 48-72 Contact Hendrickson Tech Services for part number.	1
6		*1/2"-13 UNC Nylon Locknut	2	48	64905-001	Axle & Kingpin Assembly	1
	59427-013	LH HCV & Linkage Assembly, Includes Key Nos. 7a-14		49		LH Lower Steering Knuckle Assembly	1
	59427-014	RH HCV & Linkage Assembly, Includes Key Nos. 7b-14			58900-073	Above 200" Wheel Base	
7		*** Height Control Valve			58900-075	Below 200" Wheel Base	
a	59935-011	Left Hand	1	50		RH Lower Steering Knuckle Assembly	1
b	59935-018	Right Hand	1		58900-074	Above 200" Wheel Base	
8	59428-004	HCV Linkage	2		58900-076	Below 200" Wheel Base	
9	59169-000	5/16"-18 UNC Stud	2	51	60903-041	LH Upper Steering Knuckle Assembly	1
10	17491-011	5/16"-18 UNC Nut	2	52	60904-034	RH Upper Steering Knuckle Assembly	1
11	22962-029	5/16" Hardened Washer	2		60961-040	Kingpin Bushing and Bearing Service Kit, Axle Set , Includes Kit Nos. 60961-009 & 60961-039	
12	59016-000	5/16"-18 UNC Locknut	2		60961-009	LH Kingpin Bushing and Composite Thrust Bearing Service Kit , Includes Key Nos. 53-56, 58-60, Loctite	
13	22962-028	1/4" Hardened Washer	4		60961-039	RH Kingpin Bushing and Roller Thrust Bearing Service Kit , Includes Key Nos. 53-55, 57-60, Loctite	
14	49983-000	1/4"-20 UNC Locknut	4	53	59156-000	Grease Cap Assembly	4
	60961-154	Lower Link Mount Service Kit, One Side , Includes Key Nos. 15-17		54	58937-000	Retaining Ring	4
15	59429-003	Lower Link Mount	2	55	58909-000	Kingpin Bushing	4
16	58035-002	3/8"-16 UNC 1.38" Hex Bolt	2	56	59828-000	LH Composite Thrust Bearing	1
17	22962-015	3/8" Flat Washer	2	57	64256-000	RH Roller Thrust Bearing	1
		Shock Absorber Service Kit, One Side , Includes Key Nos. 18-24		58		Kingpin Shim (As Needed for Service)	
	60961-156	Sleeper			60259-002	0.047" Thickness	2
	60961-157	Day Cab			60259-001	0.005" Thickness	4
18		Shock Absorber	2	59	58910-001	Kingpin Seal, <i>Replaces 58910-000</i>	4
	65992-001L	Sleeper		60	60236-001	5/8"-11 UNC Socket Head Cap Screw	4
	65992-002L	Day Cab		Not Shown	60937-000	Loctite® (Red) Compound Tube	1
19		*5/8"-11 UNC 4.0" Upper Shock Bolt	2		60961-069	Stop Bolt Service Kit, One Side , Includes Key Nos. 61-62	
20		*5/8" Upper Shock Washer	4	61	60238-001	1/2"-13 UNC Square Head Bolt	2
21		*5/8"-11 UNC Upper Shock Locknut	2	62	60240-000	1/2"-13 UNC Hex Jam Nut	2
22		*3/4"-10 UNC 5.0" Lower Shock Bolt	2	63		Tie Rod Assembly, Includes Key Nos. 64-66	1
23		*3/4" Lower Shock Hardened Washer	4		60239-002	Above 200" Wheel Base	
24		*3/4"-10 UNC Lower Shock Hex Locknut	2		60239-001	Below 200" Wheel Base	
25		*Shock Bracket	2	64		**7/8" Castle Nut	2
26	66420-000	Leaf Spring Assembly	2		60961-010	Tie Rod End Service Kit, Axle Set , Includes Kit Nos. 60961-025 & 60961-026	
		Includes Spring Eye Bushing			60961-025	LH Tie Rod End Service Kit , Includes Key Nos. 65, 67-68	
	60961-158	Rear Spring Mount Service Kit, One Side , Includes Key Nos. 27-31			60961-026	RH Tie Rod End Service Kit , Includes Key Nos. 66-68	
27	58920-000	Spring End Plate	2	65	64000-001	LH Tie Rod End	1
28	66774-000	Rear Spring Mount	2	66	64000-002	RH Tie Rod End	1
29	30970-001	1/2"-20 UNF 3.5" Bolt	4	67	22962-007	7/8" Flat Washer	2
30	22962-014	1/2" Hardened Washer	4	68	17800-004	Tie Rod Nut Cotter Pin	2
31	17700-034	1/2"-20 UNF Nylon Locknut	4	69	59952-023	Top Axle Wrap	2
	60961-159	Rear Spring Hardware Service Kit, One Side , Includes Key Nos. 32-35		70	64722-003	Bottom Axle Wrap	2
32	66779-000	Thrust Washer	4	71	65757-000	Top Axle Wrap Liner	2
33		*3/4"-10 UNC 6.0" Hex Bolt	2	72	59845-000	Bottom Axle Wrap Liner	2
34		*3/4" Flat Washer	4	73		*3/4"-10 UNC 8.5" Hex Bolt	8
35		*3/4"-10 UNC Locknut	2	74		*3/4" Flat Washer	8
36		*Front Hanger	2	75		*3/4"-10 UNC-2B Nylon Locknut	8
37		*3/4"-10 UNC 8.5" Hex Bolt	2	76	64246-000	ABS Sensor Sleeve	2
38		*3/4" Flat Washer	4	77	64578-000	1 1/2"-12 UNF Spindle Nut	2
39		*3/4"-10 UNC Locknut	2				
40		Rear Hanger					
	66382-001	Left Hand	1				
	66382-002	Right Hand	1				
41	66419-000	Belly Band	1				
42		*5/8"-11 UNC 2.0" Hex Bolt	4				
43		*5/8" Hardened Washer - O.D. 1.75"	8				



Prior to New Engine Configuration (PEC)
Vehicles built prior to 9/06

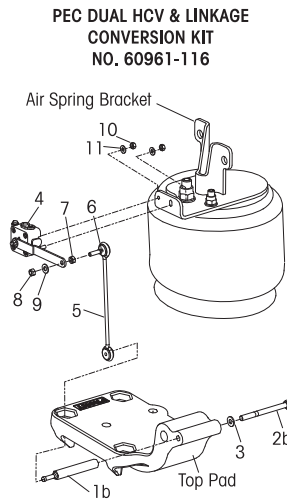
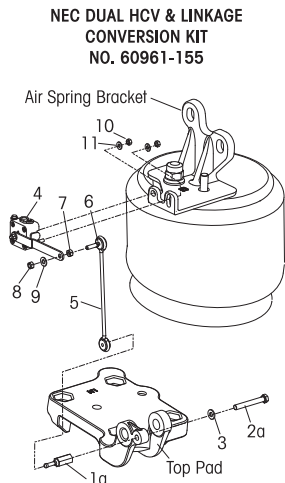




KEY NO.	PART NO.	DESCRIPTION	NO.REQ.	KEY NO.	PART NO.	DESCRIPTION	NO.REQ.
1	65790-002L	Air Spring	2	45		*5/8"-11 UNC 2.0" Hex Bolt	4
2		****Air Spring Bracket	2	46		*5/8" Hardened Washer-O.D. 1.3"	4
		• 64583-000 LH and 64586-000 RH, Replace with Kit No. 60961-132, See replacement guide on page 19		47		*5/8" Hardened Washer-O.D. 1.75"	4
3		*3/4" Flat Washer	2	48		*5/8"-11 UNC Hex Locknut	4
4		*3/4"-16 UNC Nylon Locknut	2	49		****Top Pad	2
5		*1/2" Hardened Washer	2			• Replace 64580-000 with Kit No. 60961-132, See replacement guide on page 19	
6		*1/2"-13 UNC Nylon Locknut	2	70952-0XX		Axle Assembly, Includes Key Nos. 50-74 Contact Hendrickson Tech Services for part number.	1
		HCV & Linkage Assembly		50	64905-001	Axle & Kingpin Assembly	1
	59427-013	LH, If equipped, Includes Key Nos. 7a-14	1	51		LH Lower Steering Knuckle Assembly	1
	59427-014	RH, Includes Key Nos. 7b-14	1		58900-071	250 Ackermann - Long Wheel Base	
7		Height Control Valve			58900-073	200 Ackermann - Short Wheel Base	
a	59935-011	LH, If equipped	1	52		RH Lower Steering Knuckle Assembly	1
b	59935-018	RH, Replaces 59935-010	1		58900-072	250 Ackermann - Long Wheel Base	
8	59428-004	HCV Linkage	2		58900-074	200 Ackermann - Short Wheel Base	
9	59169-000	5/16"-18 UNC Stud	2	53	60903-041	LH Upper Steering Knuckle Assembly	1
10	17491-011	5/16"-18 UNC Nut	2	54	60904-034	RH Upper Steering Knuckle Assembly	1
11	22962-029	5/16" Hardened Washer	2		60961-040	Kingpin Bushing and Bearing Service Kit Axle Set, Includes Kit Nos. 60961-009 & -039	
12	59016-000	5/16"-18 UNC Locknut	2		60961-009	LH Kingpin Bushing and Composite Thrust Bearing Service Kit, Includes Key Nos. 55-58, 60-62, Loctite	
13	22962-028	1/4" Hardened Washer	4		60961-039	RH Kingpin Bushing and Roller Thrust Bearing Service Kit, Includes Key Nos. 55-57, 59-62, Loctite	
14	49983-000	1/4"-20 UNC Locknut	4	55	59156-000	Grease Cap Assembly	4
	60961-071	Lower Link Mount Service Kit, One Side, Includes Key Nos. 15-17		56	58937-000	Retaining Ring	4
15	59429-002	Lower Link Mount	2	57	58909-000	Kingpin Bushing	4
16	58035-006	3/8"-16 UNC 3.5" Hex Bolt	2	58	59828-000	LH Composite Thrust Bearing	1
17	22962-015	3/8" Flat Washer	2	59	64256-000	RH Roller Thrust Bearing	1
		Shock Absorber Service Kit, One Side, Includes Key Nos. 18-25		60		Kingpin Shim (As Needed for Service)	
	60961-094	Sleeper			60259-002	0.047" Thickness	2
	60961-095	Day Cab			60259-001	0.005" Thickness	4
18		Shock Absorber	2	61	58910-001	Kingpin Seal, Replaces 58910-000	4
	65992-001L	Sleeper		62	60236-001	5/8"-11 UNC Socket Head Cap Screw	4
	65992-002L	Day Cab		Not Shown	60937-000	Loctite (Red) Compound Tube	1
19		*5/8"-11 UNC 4.0" Upper Shock Bolt	2	63		Tie Rod Assembly, Includes Key Nos. 64-66	1
20		*5/8" Upper Shock Washer	4		60239-003	250 Ackermann - Long Wheel Base	
21		*5/8"-11 UNC Upper Shock Locknut	2		60239-002	200 Ackermann - Short Wheel Base	
22	59946-001	Shock Spacer	2	64		**7/8" Castle Nut	2
23		*3/4"-10 UNC 8.0" Lower Shock Bolt	2		60961-010	Tie Rod End Service Kit, Axle Set, Includes Kit Nos. 60961-025 & 60961-026	
24		*3/4" Lower Shock Hardened Washer	4		60961-025	LH Tie Rod End Service Kit, Includes Key Nos. 65, 67-68	
25		*3/4"-10 UNC Lower Shock Hex Locknut	2		60961-026	RH Tie Rod End Service Kit, Includes Key Nos. 66-68	
26		*Shock Bracket	2	65	64000-001	LH Tie Rod End	1
27		*Caster Wedge	2	66	64000-002	RH Tie Rod End	1
28		****Leaf Spring Assembly with Bushing • Replace 65771-000 with Kit No. 60961-134, See replacement guide on page 19	2	67	22962-007	7/8" Flat Washer	2
	60961-109	Rear Spring Mount Service Kit (One Side) Includes Key Nos. 29-35		68	17800-004	Tie Rod Nut Cotter Pin	2
29	58920-000	Spring End Plate	2		60961-069	Stop Bolt Service Kit, One Side, Includes Key Nos. 69-70	
30	58918-000	Rear Spring Mount	2	69	60238-001	1/2"-13 UNC Square Head Bolt	2
31	65772-000	Rear Mount Spacer	2	70	60240-000	1/2"-13 UNC Hex Jam Nut	2
32	30970-001	1/2"-20 UNF 3.5" Bolt	4	71	59952-023	Top Axle Wrap	2
33	22962-014	1/2" Hardened Washer	4	72	64722-003	Bottom Axle Wrap	2
34	17700-034	1/2"-20 UNF Nylon Locknut	4	73	65757-000	Top Axle Wrap Liner	2
35	65856-000	Thrust Washer	4	74	59845-000	Bottom Axle Wrap Liner	2
36		*3/4"-10 UNC 6.0" Hex Bolt	2	75		*3/4"-10 UNC 8.5" Hex Bolt	8
37		*3/4" Flat Washer	4	76		*3/4" Flat Washer	8
38		*3/4"-10 UNC Locknut	2	77		*3/4"-10 UNC-2B Nylon Locknut	8
39		*Front Hanger	2	78	64246-000	ABS Sensor Sleeve	2
40		*3/4"-10 UNC 8.5" Hex Bolt	2	79	64578-000	1 1/2"-12 UNF Spindle Nut	2
41		*3/4" Flat Washer	4				
42		*3/4"-10 UNC Locknut	2				
43		Rear Hanger	1				
	68317-001	Left Hand					
	68317-002	Right Hand					
44	66019-000	Belly Band (For Service Only)	1				



DUAL HEIGHT CONTROL VALVE CONVERSION SERVICE KIT,
to convert from a single height control valve to dual height control valve.



KEY NO.	PART NO.	DESCRIPTION	QTY.
	60961-155	Dual HCV & Linkage Conversion Kit NEC, Includes key Nos. 1a-2a, 3-11	
	60961-116	PEC, Includes Key Nos. 1b-2b, 3-11	
		Lower Link Mount	1
1a	59429-003	NEC	
1b	59429-002	PEC	
		3/8"-16 UNC Hex Bolt	1
2a	59429-002	NEC	
2b	59429-006	PEC	
3	22962-015	3/8" Flat Washer	1
	59427-013	LH HCV & Linkage Assembly, Includes Key Nos. 4-11	1
4	59935-011	LH Height Control Valve	1
5	59428-004	HCV Linkage	1
6	59169-000	5/16"-18 UNC Stud	1
7	17491-011	5/16"-18 UNC Nut	1
8	22962-029	5/16" Hardened Washer	1
9	59016-000	5/16"-18 UNC Locknut	1
10	22962-028	1/4" Hardened Washer	2
11	49983-000	1/4"-20 UNC Locknut	2

NOTES:

- * Not supplied by Hendrickson, used for reference only. Refer to the vehicle manufacturer for more information.
- ** Item included in assembly only, part not sold separately.
- *** The recommendation of the vehicle manufacturer is that dual height control valves are only to be installed on the front suspension when the rear suspension is equipped with a single height control valve system. This arrangement is best suited to keep the vehicle level versus having dual height control systems on both the front and rear suspensions.
- **** No longer available for service, see replacement guide on page 19.

HENDRICKSON AIRTEK RIDE HEIGHT GAUGE FOR INTERNATIONAL VEHICLES: Ride height gauge, Literature No. 45745-251, can be obtained on-line at www.hendrickson-intl.com/literature/litform.asp



AIRTEK Prior to new Engine Configuration (PEC) COMPONENT Replacement Guide					
Description	Current Part No. (PEC*)	Replacement Part No.	Service Kit No.	Comments	
Air Spring Bracket	64583-000 (LH) 64586-000 (RH)	**66775-000 (LH) **66776-000 (RH)	60961-132	Requires the replacement of both air spring brackets, both top pads, lower link mount(s) with the new NEC** design and the elimination of both upper shock bracket spacers.	
Lower Link Mount	59429-002	59429-002	—	Will continue to be serviced with the PEC* design in the aftermarket.	
Spacer for Upper Shock Bracket	59946-001	See Comments	—	No longer required when the top pad is replaced with the NEC** design.	
Leaf Spring Assembly	65771-000	66420-000	60961-134	Requires the replacement of both leaf springs along with the removal of the caster wedge (if equipped).	
Top Pad	64580-000	See Comments	60961-132	Requires the replacement of both top pads, both air spring brackets, lower link mount(s) with the new NEC** design and removal of both upper shock bracket spacers.	
AIRTEK WITH PEC REPLACEMENT SERVICE KITS CONTENTS					
PART NO.	DESCRIPTION	QTY.	PART NO.	DESCRIPTION	QTY.
60961-132	Air Spring Bracket and Top Pad Replacement Kit, Axle Set		60961-134	Leaf Spring Assembly Replacement Kit, Axle Set	
66775-000	LH Air Spring Bracket	1	66420-000	Leaf Spring Assembly	
66776-000	RH Air Spring Bracket	1		• Pre-assembled with Spring End Plate, Thrust washers, Rear Spring Mount, Rear Spring Mount Spacer, and Fasteners	
68318-001	LH Top Pad	1	58917-016	¾"-10 UNC 8.5" Hex Bolt	10
68318-002	RH Top Pad	1	22962-001	¾" Flat Washer	8
59429-003	Link Mount	2	17700-033	¾"-10 UNC-2B Nylon Locknut	8
58035-002	⅜"-16 UNC 1.38" Hex Bolt (Link Mount)	2	58917-002	¾"-10 UNC 5.0" Hex Bolt	2
22962-015	⅜" Flat Washer	2	22962-033	¾" Flat Washer	8
58917-020	¾"-10 UNC 4.5" Bolt (Lower Shock)	2	49842-000	¾"-10 UNC-2B Nylon Locknut	4
22962-001	¾" Hardened Washer	4			
49842-000	¾"-10 UNC Hex Locknut	2			
58917-016	¾"-10 UNC 8.5" Hex Bolt (Clamp Group)	8			
22962-001	¾" Flat Washer	8			
17700-033	¾"-10 UNC Nylon Locknut	8			
<p>*PEC — Prior to new Engine Configuration, vehicles built prior to 9/06</p> <p>**NEC — New Engine Configuration, vehicles built after 9/06</p>					

This is a general parts list to provide directional information. Components may vary by model. Questions in regards to parts, contact Hendrickson Truck Parts at 1.866.755.5968 (Toll-free U.S. and Canada), 630.910.2800 (Outside U.S. and Canada) or e-mail: truckparts@hendrickson-intl.com.

www.hendrickson-intl.com



Truck Commercial Vehicle Systems
800 South Frontage Road
Woodridge, IL 60517-4904 USA

1.866.755.5968 (Toll-free U.S. and Canada)
630.910.2800 (Outside U.S. and Canada)
Fax 630.910.2899