

# PARTS LIST

## AIRTEK® for Volvo Vehicles

LIT NO: SP-174

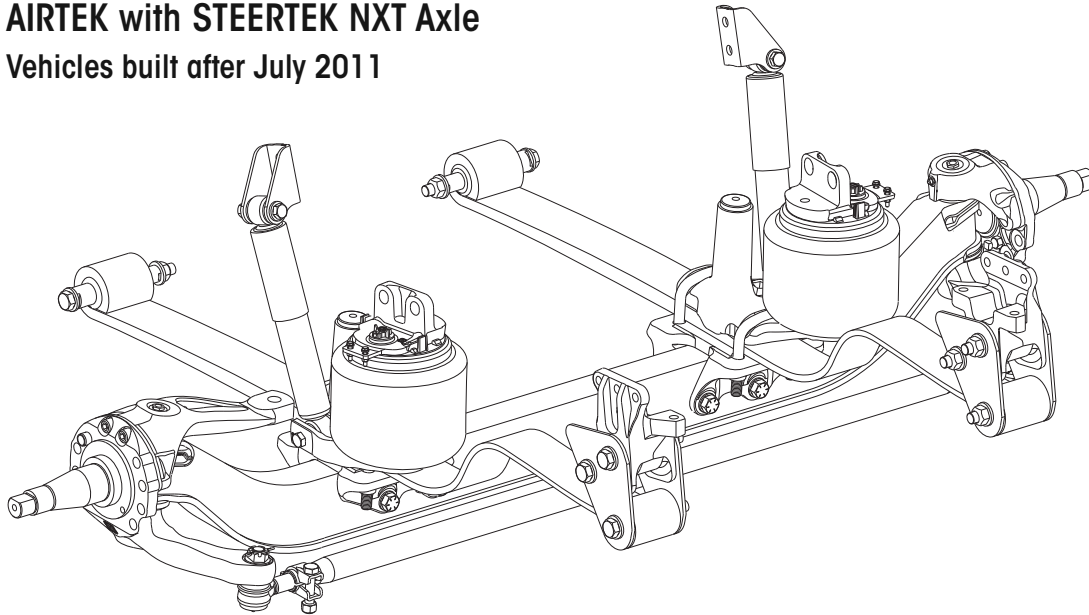
DATE: October 2011

REVISION: F

---

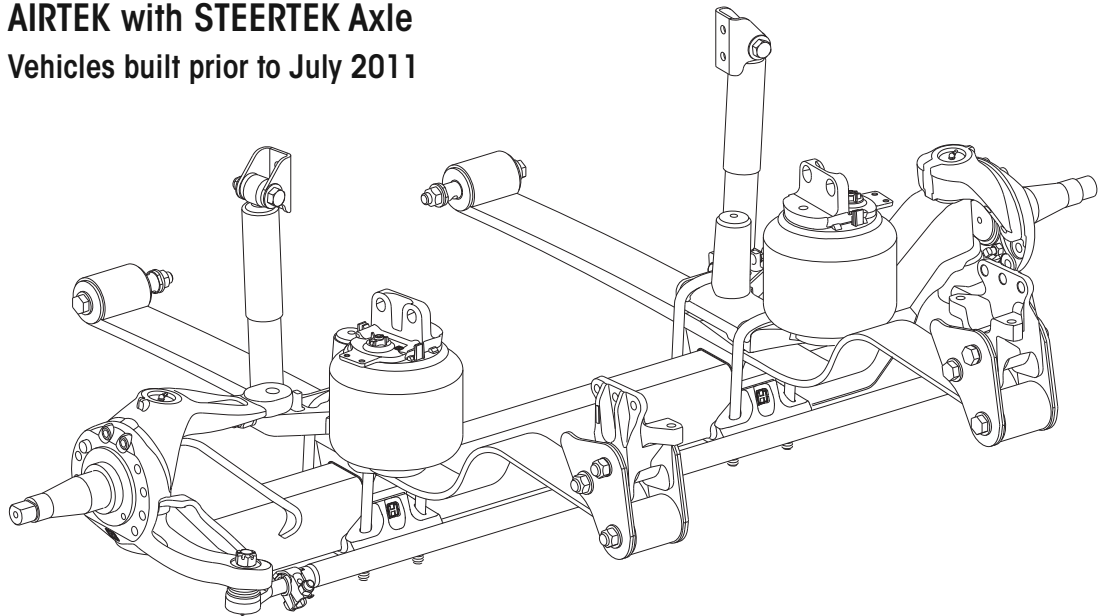
### AIRTEK with STEERTEK NXT Axle

Vehicles built after July 2011

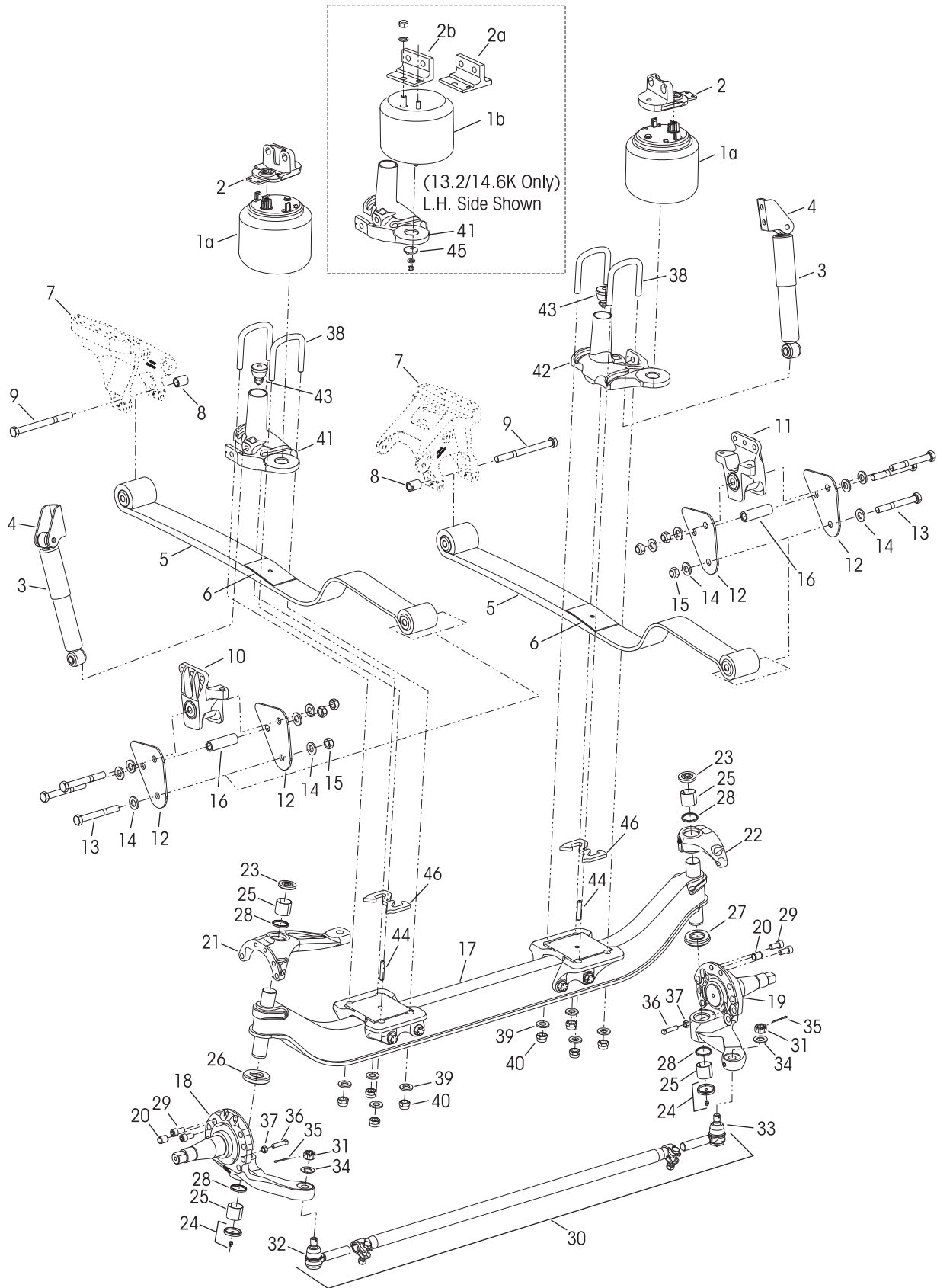


### AIRTEK with STEERTEK Axle

Vehicles built prior to July 2011



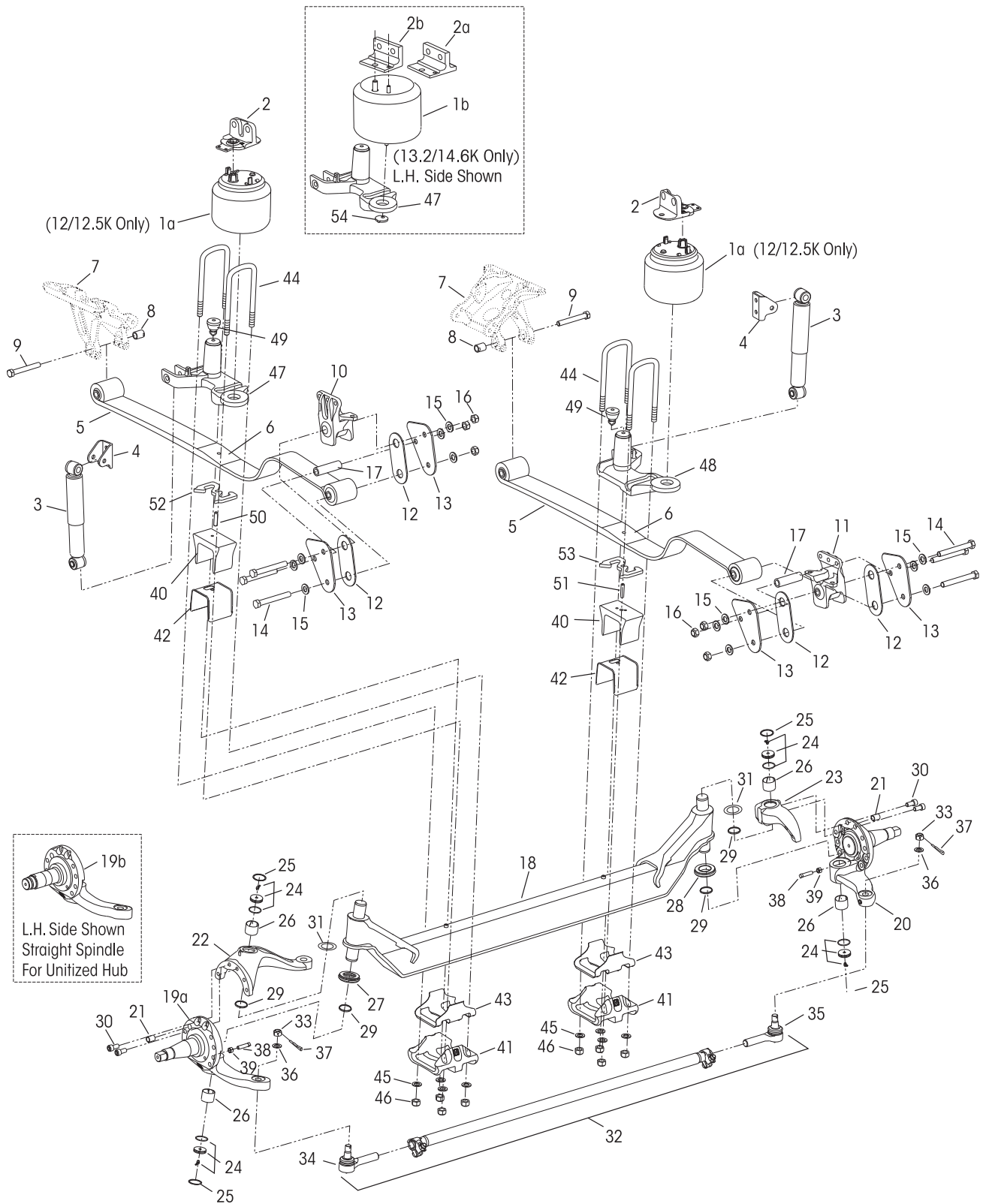
Vehicles built with STEERTEK NXT axle after July, 2011





KEY NO.	PART NO.	DESCRIPTION	NO.REQ.	KEY NO.	PART NO.	DESCRIPTION	NO.REQ.
1		Air Spring	2		60961-630	<b>RH Kingpin Bushing w/Roller Thrust Bearing Service Kit,</b> Includes Key Nos. 23-25, 27-29 & Loctite	
a	66349-002L	12K/12.5K		23	68687-003	Grease Cap Assembly, Upper	2
b	60716-002L	13.2K/14.6K		24	68687-002	Grease Cap Assembly, Lower	2
2		Air Spring Bracket	2	25	58909-001	Kingpin Bushing	4
	60757-000	12K/12.5K 266 Rail			60961-631	<b>Thrust Bearing Service Kit, Axle Set,</b> Includes Kit Nos. 60961-632 & 60961-633	
	60976-000	12K/12.5K 300 Rail			60961-632	<b>LH Composite Thrust Bearing Service Kit,</b> Includes Key Nos. 26, 28-29 & Loctite	
a	60738-001	13.2K/14.6K 266 Rail			60961-633	<b>RH Roller Thrust Bearing Service Kit,</b> Includes Key Nos. 27-29 & Loctite	
b	60738-002	13.2K/14.6K 300 Rail		26	59828-000	LH Composite Thrust Bearing	1
3	64838-003L	Shock Absorber	2	27	64256-000	RH Roller Thrust Bearing	2
4	59423-008	Upper Shock Bracket	2	28	68731-000	Kingpin Seal	4
5	53216-000	Leaf Spring Assembly with Bushings Includes Key No. 6	2	29	60236-001	5/8"-11 UNC Socket Head Cap Screw	4
6		**Steel Galvanized Liner	2	Not Shown	60937-000	Loctite® (Red) Compound Tube	1
7		*Front Spring Hanger	2	30		Tie Rod Assembly, Includes Key Nos. 31-35	1
8	64486-000	Inboard Spring Adapter	2		60239-005	<190 Ackermann, 12K/12.5K	
9	58258-009	M20 x 2.5-6G 230 mm Hex Bolt	2		60239-002	>190 Ackermann, 12K/12.5K	
		<b>LH Rear Shackle Bracket Service Kit, One Side</b> Includes Key Nos. 10, 12-16			64006-001	<190 Ackermann, 13.2K/14.6K	
	68555-001	266 Frame Rail			64006-002	>190 Ackermann, 13.2K/14.6K	
	68556-001	300 Frame Rail		31		**5/8" Castle Nut	2
		<b>RH Rear Shackle Bracket Service Kit, One Side</b> Includes Key Nos. 11-16				<b>***Tie Rod End Service Kit, Axle Set,</b> Includes LH and RH Tie Rod End Service Kits	
	68555-002	266 Frame Rail			60961-010	12K/12.5K	
	68556-002	300 Frame Rail			60961-011	13.2K/14.6K	
10		LH Rear Shackle Bracket w/Bushing (Cast Part No. 64153-001)	1			<b>***LH Tie Rod End Service Kit,</b> Includes Key Nos. 32, 34-35	
	68548-001	266 Frame Rail			60961-025	12K/12.5K	
	68554-001	300 Frame Rail			60961-027	13.2K/14.6K	
11		RH Rear Shackle Bracket w/Bushing (Cast Part No. 64153-002)	1			<b>***RH Tie Rod End Service Kit,</b> Includes Key Nos. 33-35	
	68548-002	266 Frame Rail			60961-026	12K/12.5K	
	68554-002	300 Frame Rail			60961-028	13.2K/14.6K	
	60961-635	<b>Shackle Bracket Service Kit, Axle Set,</b> Includes Key Nos. 12-16		32		<b>***LH Tie Rod End</b>	1
12	64794-000	Shackle Plate	4		64000-001	12K/12.5K	
13	58258-008	M20 x 2.5-6G 160 mm Hex Bolt	6		64002-001	13.2K/14.6K	
14	58246-009	M20 Flat Washer	12	33		<b>***RH Tie Rod End</b>	1
15	58259-001	M20 x 2.5-6H Locknut	6		64000-002	12K/12.5K	
16	60631-002	Shackle Stop Spacer	2		64002-002	13.2K/14.6K	
	68957-0XX	<b>STEERTEK NXT Axle Assembly,</b> Includes Key Nos. 17-43	1	34	22962-007	7/8" Flat Washer	2
17		Axle & Kingpin Assembly, 70.9 KPI	1	35	17800-004	Tie Rod Nut Cotter Pin	2
	68956-003M	12K/12.5K, 338/366 mm Ride Ht., 4.25 Drop		36	60238-001	1/2"-13 UNC Square Head Bolt	2
	68956-004M	12K/12.5K, 338 mm Ride Ht., 5.36 Drop		37	60240-000	1/2"-13 UNC Hex Jam Nut	2
	68956-005M	13.2K/14.6K, 338/366 mm Ride Ht., 4.25 Drop				<b>U-bolt Clamp Group Service Kit, One Side,</b> Includes Key Nos. 38-40	
	68956-006M	13.2K/14.6K, 338 mm Ride Ht., 5.36 Drop				12K/12.5K and 13.2K/14.6K	
18		LH Lower Steering Knuckle Assembly	1		64106-023	338 mm Ride Height	
	58900-407	<190 Ackermann STD Hub			64106-024	366 mm Ride Height	
	58900-409	>190 Ackermann STD Hub		38		M20 x 2.5-6G U-bolt, 12K/12.5K and 13.2K/14.6K	4
	58900-417	<190 Ackermann Unitized Hub			65663-005	338 mm Ride Height, Bolt Length 225 mm	
	58900-419	>190 Ackermann Unitized Hub			65663-006	366 mm Ride Height, Bolt Length 275 mm	
19		RH Lower Steering Knuckle Assembly	1	39	58246-009	M20 Flat Washer	8
	58900-408	<190 Ackermann STD Hub		40	65072-001	M20 x 2.5-6H Nylon Locknut	8
	58900-410	>190 Ackermann STD Hub		41		LH Top Pad Assembly	1
Not Shown	58900-418	<190 Ackermann Unitized Hub			69659-001	266 Frame Rail	
Not Shown	58900-420	>190 Ackermann Unitized Hub			69660-001	300 Frame Rail	
20	64246-000	ABS Sensor Sleeve	2	42		RH Top Pad Assembly	1
21		LH Upper Steering Knuckle Assembly	1		69659-002	266 Frame Rail	
	60903-411	338 mm Ride Height			69660-002	300 Frame Rail	
	60903-413	366 mm Ride Height		43	64080-000	Rubber Axle Stop	2
22	60904-402	RH Upper Steering Knuckle Assembly	1	44		Dowel Pin	2
	60961-628	<b>Kingpin Bushing and Bearing Service Kit,</b> Axle Set, Includes Kit Nos. 60961-629 & -630			57159-004	338 mm Ride Height, 66.8 mm	
	60961-629	<b>LH Kingpin Bushing w/Composite Thrust Bearing Service Kit,</b> Includes Key Nos. 23-26, 28-29 & Loctite			57159-008	366 mm Ride Height, 94.8 mm	
				45	64166-000	Air Spring Adapter for Top Pad 13.2K/14.6K Only	2
				46	64318-028	Axle Spacer, 366 mm Ride Height, 28 mm	2

Vehicles built with STEERTEK axle and Post'07 Engine prior to July 2011





KEY NO.	PART NO.	DESCRIPTION	NO.REQ.	KEY NO.	PART NO.	DESCRIPTION	NO.REQ.
1		Air Spring	2		60961-040	<b>Kingpin Bushing and Bearing Service Kit, Axle Set</b> , Includes Kit Nos. 60961-009 & 60961-039	
a	66349-002L	12K/12.5K, <i>Replaces 60750-002L</i>			60961-009	<b>LH Kingpin Bushing w/Composite Thrust Bearing Service Kit</b> , Includes Key Nos. 24-27, 29-31 & Loctite	
b	60716-002L	13.2K/14.6K			60961-039	<b>RH Kingpin Bushing w/Roller Thrust Bearing Service Kit</b> , Includes Key Nos. 24-26, 28-31 & Loctite	
2		Air Spring Bracket	2	24	59156-000	Grease Cap Assembly	4
	60757-000	12K/12.5K 266 Rail		25	58937-000	Retaining Ring	4
	60976-000	12K/12.5K 300 Rail		26	58909-000	Kingpin Bushing	4
a	60738-001	13.2K/14.6K 266 Rail			60961-043	<b>Thrust Bearing Service Kit, Axle Set</b> , Includes Kit Nos. 60961-041 & 60961-042	
b	60738-002	13.2K/14.6K 300 Rail			60961-041	<b>LH Composite Thrust Bearing Service Kit</b> , Includes Key Nos. 27, 29-31 & Loctite	
3	64838-002L	Shock Absorber <i>Replaces 64838-001L</i>	2		60961-042	<b>RH Roller Thrust Bearing Service Kit</b> , Includes Key Nos. 28-31 & Loctite	
4	64241-001	Upper Shock Bracket	2	27	59828-000	LH Composite Thrust Bearing	1
	60961-072	<b>Front Leaf Spring Assembly Service Kit, One Side</b> , Includes Key Nos. 5, 13		28	64256-000	RH Roller Thrust Bearing	1
5	64772-000	Leaf Spring Assembly with Bushings Includes Key No. 6 <i>Replaces 64485-000, 65215-000</i>	2	29	58910-001	Kingpin Seal, <i>Replaces 58910-000</i>	4
6		**Steel Galvanized Liner	2	30	60236-001	5/8" Socket Head Cap Screw	4
7		*Front Spring Hanger	2	31	60259-001	Kingpin Shim (As required) 0.005" Thickness	4
8	64486-000	Inboard Spring Adapter, <i>Replaces 64162-000</i>	2		60259-002	0.047" Thickness	1
9	58258-009	M20 x 2.5-6G 230 mm Hex Bolt	2	Not Shown	60937-000	Loctite (Red) Compound Tube	1
		<b>LH Rear Shackle Bracket Service Kit, One Side</b> Includes Key Nos. 10, 12-17		32		Tie Rod Assembly, Includes Key Nos. 33-37 12K/12.5K	1
	64876-001	266 Frame Rail			60239-001	<190 Ackermann, <i>Replaces 64801-002</i>	
	64800-001	300 Frame Rail			60239-002	>190 Ackermann, <i>Replaces 64801-003</i> 13.2K/14.6K	
		<b>RH Rear Shackle Bracket Service Kit, One Side</b> Includes Key Nos. 11-17			64006-001	<190 Ackermann, <i>Replaces 64442-002</i>	
	64876-002	266 Frame Rail			64006-002	>190 Ackermann, <i>Replaces 64442-003</i>	
	64800-002	300 Frame Rail		33		**5/8" Castile Nut <b>***Tie Rod End Service Kit, Axle Set</b> , Includes LH and RH Tie Rod End Service Kits	2
10		LH Rear Shackle Bracket w/Bushing (Cast Part No. 64153-001)	1		60961-010	12K/12.5K, <i>Replaces 60961-081</i>	
	64175-001	266 Frame Rail			60961-011	13.2K/14.6K, <i>Replaces 60961-082</i>	
	64176-001	300 Frame Rail				<b>***LH Tie Rod End Service Kit</b> , Includes Key Nos. 34, 36-37	
11		RH Rear Shackle Bracket w/Bushing (Cast Part No. 64153-002)	1		60961-025	12K/12.5K, <i>Replaces 60961-083</i>	
	64175-002	266 Frame Rail			60961-027	13.2K/14.6K, <i>Replaces 60961-085</i>	
	64176-002	300 Frame Rail				<b>***RH Tie Rod End Service Kit</b> , Includes Key Nos. 35-37	
	60961-034	<b>Shackle Bracket Service Kit, Axle Set</b> , Includes Key Nos. 12-17			60961-026	12K/12.5K, <i>Replaces 60961-084</i>	
12	64159-000	Thrust Washer	4		60961-028	13.2K/14.6K, <i>Replaces 60961-086</i>	
13	64794-000	Shackle Plate, <i>Replaces 64158-000</i>	4	34		<b>***LH Tie Rod End</b>	1
14	58258-008	M20 x 2.5-6G 160 mm Hex Bolt	6		64000-001	12K/12.5K, <i>Replaces 65033-001</i>	
15	58246-009	M20 Flat Washer	12		64002-001	13.2K/14.6K, <i>Replaces 65034-001</i>	
16	58259-001	M20 x 2.5-6H Locknut	6	35		<b>***RH Tie Rod End</b>	1
17	60631-000	Shackle Stop Spacer	2		64000-002	12K/12.5K, <i>Replaces 65033-002</i>	
	60952-0XX	<b>STEERTEK Axle Assembly</b> , Includes Key Nos. 18-43	1		64002-002	13.2K/14.6K, <i>Replaces 65034-002</i>	
18		Axle & Kingpin Assembly, 70.9 KPI	1	36	22962-007	7/8" Flat Washer	2
	64905-001	12K/12.5K, 338/366 mm Ride Ht., 4.25 Drop, <i>Replaces 59924-001</i>		37	17800-004	Tie Rod Nut Cotter Pin	2
	64905-003	12K/12.5K, 338 mm Ride Ht., 5.36 Drop		38	60238-001	1/2"-13 UNC Square Head Bolt	2
	64905-005	13.2K/14.6K, 338/366 mm Ride Ht., 4.25 Drop, <i>Replaces 59924-005</i>		39	60240-000	1/2"-13 UNC Hex Jam Nut	2
	64905-007	13.2K/14.6K, 338 mm Ride Ht., 5.36 Drop		40	59952-017	Top Axle Wrap, <i>Replaces 59952-013 &amp; 59952-014</i>	2
19		LH Lower Steering Knuckle Assembly	1	41	64722-003	Bottom Axle Wrap, <i>Replaces 64014-003 &amp; 60622-003</i>	2
a	58900-007	<190 Ackermann STD Hub				<b>U-bolt Clamp Group Service Kit, One Side</b> , Includes Key Nos. 42-46	
a	58900-009	>190 Ackermann STD Hub			60961-185	12K/12.5K and 13.2K/14.6K 366 mm Ride Height, 4.25 Drop 338 mm Ride Height, 5.36 Drop	
b	58900-017	<190 Ackermann Unitized Hub			60961-186	12K/12.5K, 338 mm Ride Ht., 4.25 Drop	
b	58900-019	>190 Ackermann Unitized Hub			60961-187	13.2K/14.6K, 338 mm Ride Ht., 4.25 Drop	
20		RH Lower Steering Knuckle Assembly	1				
	58900-008	<190 Ackermann STD Hub					
	58900-010	>190 Ackermann STD Hub					
Not Shown	58900-018	<190 Ackermann Unitized Hub					
Not Shown	58900-020	>190 Ackermann Unitized Hub					
21	64246-000	ABS Sensor Sleeve	2				
22		LH Upper Steering Knuckle Assembly	1				
	60903-011	338 mm Ride Ht.					
	60903-013	366 mm Ride Ht.					
23	60904-002	RH Upper Steering Knuckle Assembly	1				



KEY NO.	PART NO.	DESCRIPTION	NO.REQ.	KEY NO.	PART NO.	DESCRIPTION	NO.REQ.
	60961-015	<b>Top/Bottom Axle Wrap Liner Service Kit,</b> One Side, Includes Key Nos. 42-43		51		RH Dowel Pin	1
42	60508-000	Top Axle Wrap Liner	2			• Vehicles equipped with <b>dual</b> HCVs built <b>after</b> 03/05	
43	59845-000S	Bottom Axle Wrap Liner	2	57159-004		366 mm Ride Height, 66.8 mm	
44		M20 x 2.5-6G U-bolt	4			• Vehicles equipped with a <b>single</b> HCV built <b>prior to</b> 03/05	
	65663-002	• Vehicles built with <b>Pre'07</b> Engine, see page 7 12K/12.5K and 13.2K/14.6K 366 mm Ride Ht., Bolt Length 275 mm		57159-004		338 mm Ride Height, 66.8 mm	
	65663-003	12K/12.5K 338 mm Ride Ht., Bolt Length 225 mm		57159-008		366 mm Ride Height, 94.8 mm	
	65663-004	13.2K/14.6K 338 mm Ride Ht., Bolt Length 255 mm		52		LH Front Axle Spacer	1
45	58246-009	M20 Flat Washer	8			• Vehicles equipped with <b>dual</b> HCVs built <b>after</b> 03/05	
46	65072-001	M20 x 2.5-6H Locknut	8	64318-028		366 mm Ride Height, 28 mm	
47		LH Top Pad	1			• Vehicles equipped with a <b>single</b> HCV built <b>prior to</b> 03/05	
	67266-001	• Vehicles built with <b>Pre'07</b> Engine, see page 7 266 Frame Rail, <i>Replaces 64517-001,</i> <i>64172-001L, 64725-001L, 65493-001L</i>		64318-012		338 mm Ride Height, 12 mm	
	67300-001	300 Frame Rail, <i>Replaces 64173-001L,</i> <i>64173-001L, 64727-001L, 65605-001L</i>		64318-020		338 mm Ride Height, 20 mm	
48		RH Top Pad	1	64318-040		366 mm Ride Height, 40 mm	
	67266-002	• Vehicles built with Pre'07 Engine, see page 7 266 Frame Rail, <i>Replaces 64517-002,</i> <i>64172-002L, 64725-002L, 65493-002L</i>		64318-048		366 mm Ride Height, 48 mm	
	67300-002	300 Frame Rail, <i>Replaces 64161-002,</i> <i>64173-002L, 64727-002L, 65605-002L</i>		53		RH Front Axle Spacer	1
49	64080-000	Rubber Axle Stop	2			• Vehicles equipped with <b>dual</b> HCVs built <b>after</b> 03/05	
50		LH Dowel Pin	1	64318-028		366 mm Ride Height, 28 mm	
	57159-004	• Vehicles equipped with <b>dual</b> HCVs, built <b>after</b> 03/05 366 mm Ride Height, 66.8 mm		54	64166-000	Air Spring Adapter for Top Pad	2
	57159-007	• Vehicles equipped with a <b>single</b> HCV built <b>prior to</b> 03/05 338 mm Ride Height, 79.5 mm				13.2K/14.6K Only	
	57159-012	338 mm Ride Height, 85.9 mm					
	57159-009	366 mm Ride Height, 107.2 mm					
	57159-013	366 mm Ride Height, 115 mm					

**NOTE:** \* Not supplied by Hendrickson, used for reference only. Refer to OEM (vehicle manufacturer) for more information. Hendrickson is not responsible for components supplied by vehicle manufacturer. For assistance with maintenance and rebuild instructions on these components see vehicle manufacturer.

\*\* Item included in assembly only, part not sold separately.

\*\*\* Hendrickson supplies different tie rod assemblies and each type may take a different replacement tie rod end kit to service. Prior to ordering find the part number on the tie rod tube, see Hendrickson Literature No. SEU-0223 or contact Hendrickson Truck Parts for corresponding kit numbers.

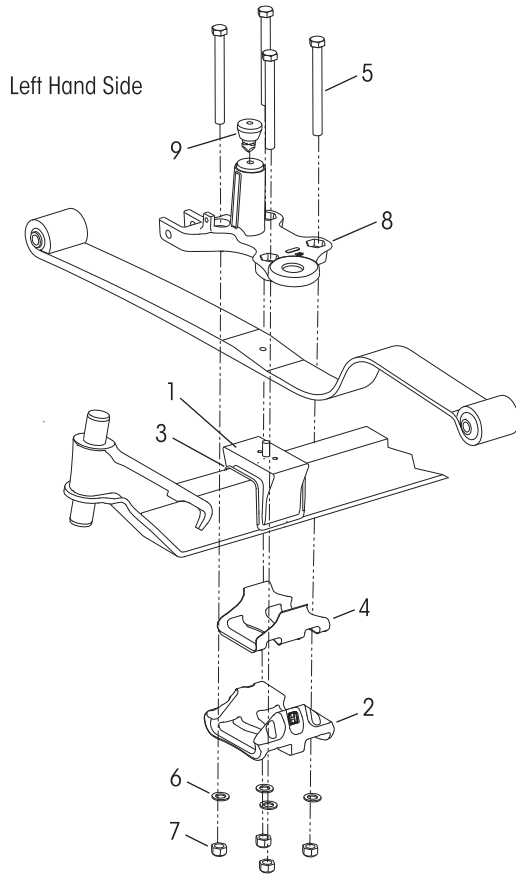
Hendrickson **AIRTEK Ride Height Gauges** for Volvo vehicles, order online [www.hendrickson-intl.com/literature/lifform.asp](http://www.hendrickson-intl.com/literature/lifform.asp):

- 12K/12.5K Capacity Height Gauge – Lit No. 45745-170
- 13.2K/14.6K Capacity Height Gauge – Lit No. 45745-195



### Vehicles built with STEERTEK axle and Pre'07 Engine

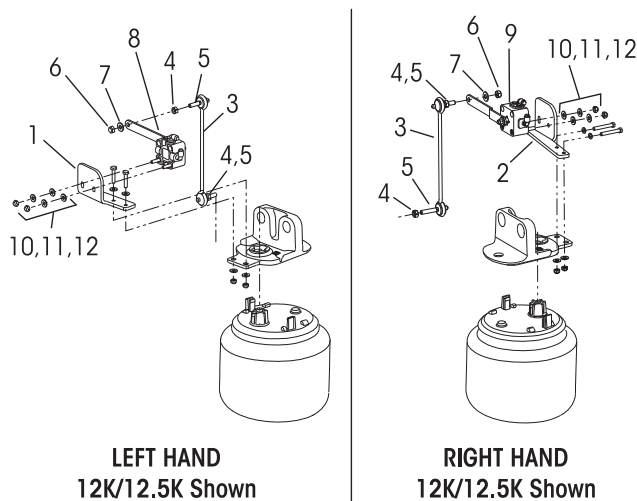
#### Top Pad with Straight Hex Bolt



KEY NO.	PART NO.	DESCRIPTION	NO. REQ.
1	59952-017	Top Axle Wrap	2
2	64722-003	Bottom Axle Wrap	2
		<b>Straight Bolt Clamp Group Service Kit, One Side,</b> Includes Key Nos. 3-7	
		• Vehicles equipped with <b>dual</b> HCVs, Built <b>after</b> 03/05 12K/12.5K and 13.2K/14.6K 338 mm Ride Ht. 366 mm Ride Ht.	
	60961-035		
	60961-036		
	60961-035		
	60961-036		
	60961-037		
	60961-038		
		• Vehicles equipped with a <b>single</b> HCV, Built <b>prior</b> to 03/05 12K/12.5K, 338 mm Ride Ht. 12K/12.5K, 366 mm Ride Ht. 13.2K/14.6K, 338 mm Ride Ht. 13.2K/14.6K, 366 mm Ride Ht.	
3	60508-000	Top Axle Wrap Liner	2
4	59845-000S	Bottom Axle Wrap Liner	2
5		M20 x 2.5-6G Hex Bolt	8
		• Vehicles equipped with <b>dual</b> HCVs, Built <b>after</b> 03/05 12K/12.5K and 13.2K/14.6K 338 mm Ride Ht., Bolt Length 220 mm 366 mm Ride Ht., Bolt Length 250 mm	
	58258-007		
	58258-011		
		• Vehicles equipped with a <b>single</b> HCV, Built <b>prior</b> to 03/05 12K/12.5K 338 mm Ride Ht., Bolt Length 230 mm 366 mm Ride Ht., Bolt Length 260 mm 13.2K/14.6K 338 mm Ride Ht., Bolt Length 220 mm 366 mm Ride Ht., Bolt Length 250 mm	
	58258-009		
	58258-010		
	58258-007		
	58258-011		
6	58246-009	M20 Flat Washer	8
7	65072-001	M20 x 2.5-6H Locknut	8
8		Top Pad Assembly, (Pre '07 Engine Top Pads are obsolete. If top pad replacement is required, replace with current top pad and U-bolts, see Key Nos. 44,47,48)	
9	64080-000	Rubber Axle Stop	2

### Vehicles built between 03/05 and 12/07

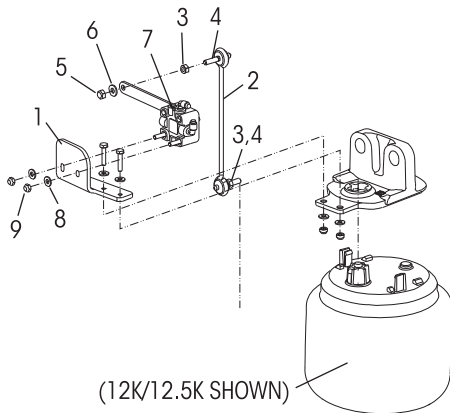
#### Dual Height Control Valves



KEY NO.	PART NO.	DESCRIPTION	NO. REQ.
		HCV, Link Mount & Linkage Assembly, Includes Key Nos. 1-12	2
	65601-006	LH 12K/12.5K, <i>Replaces 65601-001</i>	
	65601-007	RH 12K/12.5K, <i>Replaces 65601-002</i>	
	65602-006	LH 13.2K/14.6K, <i>Replaces 65602-001</i>	
	65602-007	RH 13.2K/14.6K, <i>Replaces 65602-002</i>	
1	64480-005	LH Height Control Valve Bracket 12K/12.5K, <i>Replaces 64480-000</i> 13.2K/14.6K, <i>Replaces 64481-000</i>	1
2	64481-005	RH Height Control Valve Bracket 12K/12.5K, <i>Replaces 64480-002</i> 13.2K/14.6K, <i>Replaces 64481-002</i>	1
Not Shown	64481-004	HCV & Linkage Assembly	2
	59427-025	LH, <i>Replaces 59427-010</i> , Includes Key Nos. 3-8, 10-12	1
	59427-026	RH, <i>Replaces 59427-012</i> , Includes Key Nos. 3-7, 9-12	1
3	59428-004	Height Control Valve Linkage	2
4	64298-000	M8 x 1.25-6H Hex Nut	4
5	59169-002	M8 Link Stud	4
6	64297-000	M8 x 1.25-6H Locknut	4
7	58246-012	M8 Flat Washer	4
8	59935-017	LH HCV, <i>Replaces 59935-006</i>	1
9	59935-016	RH HCV, <i>Replaces 59935-009</i>	1
10	58246-014	M6 Flat Washer, <i>Replaces 22962-028</i>	4
11	17497-001	¼" Lockwasher	4
12	66388-000	M6 x 1.0-6H Locknut, <i>Replaces 65092-000</i>	4



**Vehicles built prior to 03/05**  
**Single Height Control Valve**



KEY NO.	PART NO.	DESCRIPTION	NO. REQ.
		Single HCV, Link Mount & Linkage Assembly, Includes Key Nos. 1-9	1
	64089-000	12K/12.5K	
	64094-000	13.2K/14.6K	
1	64480-000	Single Height Control Valve Bracket	1
	64481-000	12K/12.5K	
	64481-000	13.2K/14.6K	
	59427-006	Single Height Control Valve & Linkage Assembly, Includes Key Nos. 2-9	1
2	59428-004	Height Control Valve Linkage	1
3	64298-000	M8 x 1.25-6H Hexnut	2
4	59169-002	M8 Link Stud	2
5	64297-000	M8 x 1.25-6H Locknut	2
6	58246-012	M8 Flat Washer	2
7	59935-003	Height Control Valve	1
8	22962-028	¼" Flat Washer	2
9	49983-000	¼" 20 UNC Locknut	2

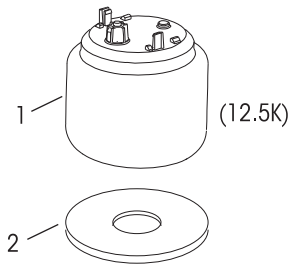
Obtain a Hendrickson **Dual Height Control Valve Conversion Kit** to convert a single height control valve to dual height control valves configuration.

**Dual Height Control Valve and Linkage Kit**

60961-101	12K/12.5K Capacity
60961-102	13.2K/14.6K Capacity

**Vehicles built between 03/05 and 06/07**  
**equipped with dual height control valves**

**Air Spring with Support Plate**  
**Service Kit No. 60961-182**



Vehicles built **between** 03/05 and 06/07, equipped with dual HCVs **must use** Air Spring with Support Plate Service Kit No. 60961-182

KEY NO.	PART NO.	DESCRIPTION	QTY.
1	67304-002	Air Spring (12.5K)	1
2	67149-000	Support Plate	1

This is a general parts list to provide directional information. Components may vary by model. Questions in regards to parts, contact Hendrickson Truck Parts at 1.866.755.5968 (Toll-free U.S. and Canada), 630.910.2800 (Outside U.S. and Canada) or e-mail: truckparts@hendrickson-intl.com.

www.hendrickson-intl.com



Truck Commercial Vehicle Systems  
 800 South Frontage Road  
 Woodridge, IL 60517-4904 USA

1.866.755.5968 (Toll-free U.S. and Canada)  
 630.910.2800 (Outside U.S. and Canada)  
 Fax 630.910.2899