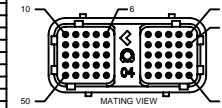


P3		LABEL: ENGINE ECU	
CKT NO.	TERM		
EE19-1	1		
EE15-1	2		
EE63-1	3		
EE18-1	4		
EE20-1	5		
EE43-1	6		
EE06-1	7		
EE05-1	8		
EE22-1	9		
417-1	10		
EE14-1	11		
EE64-1	13		
EE28-1	15		
EE09-1	16		
EE19-1	17		
EE04-1	18		
418-1	20		
EE58-1	21		
EE19-1	22		
EE23-1	23		
EE07-1	24		
EE17-1	25		
EE19-1	26		
EE25	27		
EE31-1	28		
EE03-3	29		
EE02-2	32		
EE03-4	33		
EE01-1	34		
EE26	36		
660-3	37		
EE41-1	38		
EE21-1	39		
83-1	40		
EE10-1	43		
EE24-1	44		
661-0	46		
662-0	47		



NOTES:

- ASSEMBLE PER PETERBILT MPS 1600.002.
- FOR USE WITH MODEL 387 TRUCK WITH CUMMINS ISX AND SIGNATURE SERIES ENGINES, WITH CM870 CONTROLLER.
- SELECT TERMINALS PER SK28129. USE TERMINAL CODE 11 OR 12 WITH THE FOLLOWING EXCEPTIONS:

ITEM #	CONNECTOR/TERMINAL	TERMINAL CODE/EN
	J43, P3, AND J6	21
	T1	12-14
	T2 AND T3	12-7/16

- CIRCUITS 660-0, 661-0, 662-0, AND FOR CIRCUITS 660-1, 661-1, 662-1, AND FOR CIRCUITS 660-2, 661-2, AND 662-2, USE P92-1549 OR EQUIVALENT.
- THE FOLLOWING CIRCUITS TO BE TWISTED PAIRS AND TRIPLETS (ONE TWIST PER 25MM):

TWISTED PAIRS

417-1 AND 418-1	DATA LINK, J1587/J1708
EE26 AND EE28	VEHICLE SPEED

TWISTED TRIPLETS

EE12-1, EE22-1, AND EE23-1	THROTTLE
EE02-4, EE39-1, AND EE58-1	REMOTE THROTTLE

- HARNESS MANUFACTURER TO ASSEMBLE THE FOLLOWING: CONNECTORS J7 AND P33; CONNECTORS J29 AND P18; CONNECTORS J60 AND P51; CONNECTORS J69 AND P91; CONNECTOR J43 AND TERMINATING RESISTOR R1

- PLUG ALL UNUSED CAVITIES AND SEAL ALL WEATHER PROOF CONNECTORS AS FOLLOWS: USE 16-07833 FOR METRI-PACK, WEATHER-PACK, AND DEUTSCH CONNECTORS.

- CONVOLUTED TUBING SHALL BE MAXIMIZED TO THE REAR OF EACH CONNECTOR WITHOUT PLACING STRAIN ON TERMINALS AS MANUFACTURING PROCESS DICTATES.

- PART NUMBER IS GENERATED BY THE FOLLOWING:



P92-6083

EXAMPLE: P92-6083-021 IS FOR WITH J1939 DATA LINK, AND WITHOUT DUAL STATION CONTROLS

1) YELLOW TAPE INDICATES HARNESS ROUTING INDEX POINT.

- THE USE OF CAVITY PLUGS ON P1, P2, AND P3 IS CRITICAL.

- SPLICE LOCATIONS ARE SHOWN FOR REFERENCE ONLY WITH THE EXECPTION OF THE FOLLOWING:

SPLICE S4 SHALL BE PLACED AS CLOSE TO CONNECTOR P2 AS IS PRACTICAL.

13) FOR HARNESS MANUFACTURER USE ONLY: SIMILAR TO P92-6047-000.

14) SUPERSEDES P92-6047-000



TABLE A
FUTURE USE

VAR	OMIT CIRCUITS	OMIT ITEM NUMBERS	USAGE
0	-	-	-

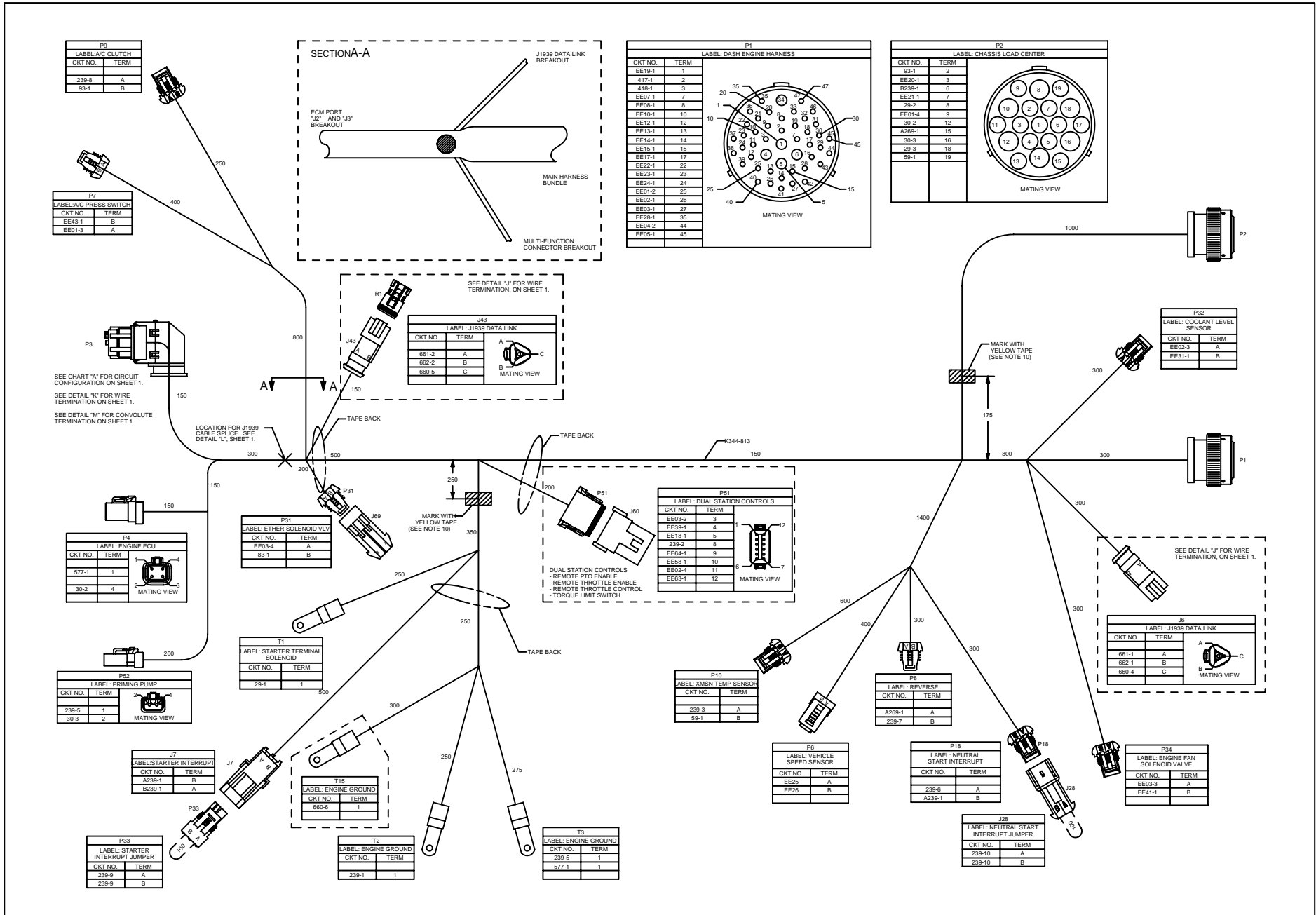
TABLE B
J1939 DATA LINK

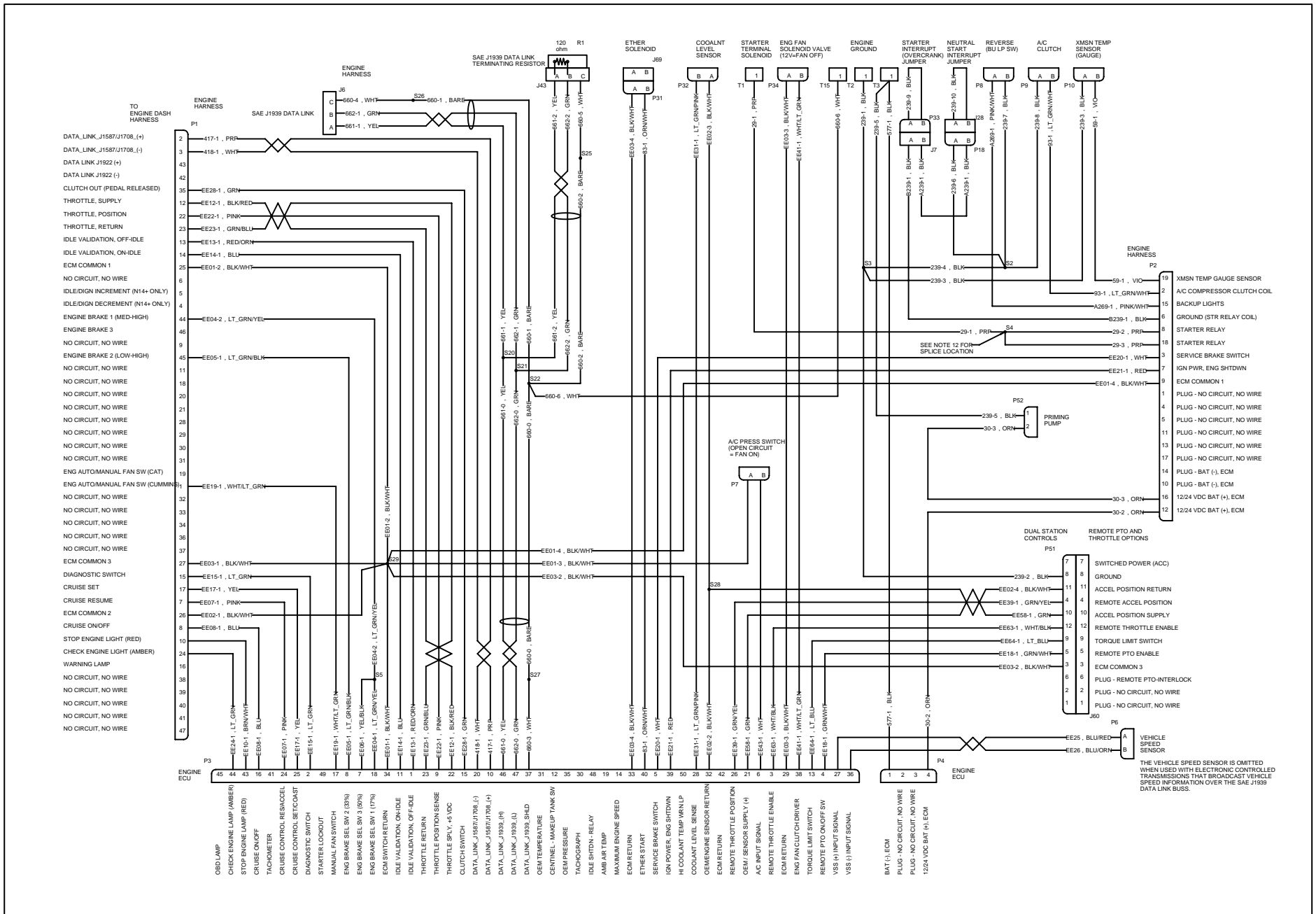
VAR	OMIT CIRCUITS	OMIT ITEM NUMBERS	USAGE
1	660-0, 661-0, 662-0, 660-1, 661-1, 662-1, 660-2, 661-2, 662-2, 660-3, 660-4, 660-5, 660-6	J43, P5, R1, S20, S21, S22, S25, S26, S27	WITHOUT J1939 DATA LINK
2	NONE	NONE	WITH J1939 DATA LINK

TABLE C
DUAL STATION CONTROLS

VAR	OMIT CIRCUITS	OMIT ITEM NUMBERS	USAGE
1	EE02-4, EE03-2, EE18-1, EE39-1, EE58-1, EE63-1, EE64-1, 239-2	J60, P51, AND S28	WITHOUT DUAL STATION CONTROLS
2	NONE	NONE	WITH DUAL STATION CONTROLS

1	T15	RING TERMINAL	BLACK PVC SHRINK TUBE TERM INSULATION	
1	T3	RING TERMINAL	BLACK PVC SHRINK TUBE TERM INSULATION	
1	T2	RING TERMINAL	BLACK PVC SHRINK TUBE TERM INSULATION	
1	T1	RING TERMINAL	RED PVC SHRINK TUBE TERMINAL INSULATION	
1	S29	SPLICE	CIRCUIT EE01	
1	S28	SPLICE	CIRCUIT EE02	
1	S27	SPLICE	CIRCUIT 660	
1	S26	SPLICE	CIRCUIT 660	
1	S25	SPLICE	CIRCUIT 660	
1	S22	SPLICE	CIRCUIT 660	
1	S21	SPLICE	CIRCUIT 662	
1	S20	SPLICE	CIRCUIT 661	
1	S5	SPLICE	CIRCUIT EE04	
1	S4	SPLICE	CIRCUIT 29	
1	S3	SPLICE	CIRCUIT 239	
1	S2	SPLICE	CIRCUIT 298	
1	R1	P20-1075	DEUTSCH TERMINATING RESISTOR 120-20m	
1	P52	P20-1158-202	GRAY DEUTSCH DTP PLUG SEALED	
1	P51	16-06777	BLACK DEUTSCH DT SEALED	
1	P34	16-06461	BLACK PACKARD METRI-PACK 280 SEALED	
1	P33	16-04464	BLACK PACKARD WP TOWER SEALED	
1	P32	16-06461	BLACK PACKARD METRI-PACK 280 SEALED	
1	P31	P20-1040	BLACK PACKARD METRI-PACK 150 SEALED	
1	P18	16-06461	BLACK PACKARD MP 280 SEALED	
1	P10	16-06461	BLACK PACKARD MP 280 SEALED	
1	P9	16-06461	BLACK PACKARD MP 280 SEALED	
1	P8	16-06414	LT-GRY PACKARD MP 150 SEALED	
1	P7	16-06414	LT-GRY PACKARD MP 150 SEALED	
1	P6	P20-1060	BLACK PACKARD MP 150 SEALED	
1	P4	P20-1158-204	GRAY DEUTSCH DTP PLUG SEALED	
1	P3	P20-1063-04	BLACK DEUTSCH DRC PLUG SEALED	
1	P2	P20-1133-19-3-2	BLACK DEUTSCH HPP20 PLUG SEALED	
1	P1	P20-1133-47-5-2	BLACK DEUTSCH HPP20 PLUG SEALED	
1	669	P92-1065-102-2	BLACK PACKARD METRI-PACK 150 SEALED	
1	660	16-06778	BLACK DEUTSCH DT SEALED	
1	J43	P20-1072	BLK DEUTSCH DT RECPT SEALED (J1939-THRU)	
1	J28	16-06588	BLACK PACKARD METRI-PACK 280 SEALED	
1	J7	16-04465	BLACK PACKARD WP SHROUD SEALED	
1	J6	P20-1072	BLK DEUTSCH DT RECPT SEALED (J1939-THRU)	
QTY	ITEM	PART NUMBER	PRODUCT DESCRIPTION	MATERIAL





WIRE INFORMATION FOR HARNESS: P92-6083-000									
CKT NO.	WIRE GAUGE	INSUL.	WIRE NUMBER	COLOR	FROM COMPONENT	TERM	TO COMPONENT	TERM	DESCRIPTION
239-1	2	SGX	18-08316	BLK	S3 SPLICE	1	T2 RING TERMINAL	1	GROUND
239-2	14	GXL	18-06017	BLK	P51 16-06777	8	S3 SPLICE	1	GROUND
239-3	18	GXL	18-04762	BLK	S3 SPLICE	1	P10 16-06461	A	GROUND
239-4	14	GXL	18-06017	BLK	S3 SPLICE	1	S2 SPLICE	1	GROUND
239-5	10	GXL	18-07064	BLK	T3 RING TERMINAL	1	P92 P20-1158-202	1	GROUND
239-6	18	GXL	18-04762	BLK	S2 SPLICE	1	P18 16-06461	A	GROUND
239-7	18	GXL	18-04762	BLK	S2 SPLICE	1	P8 16-06414	B	GROUND
239-8	18	GXL	18-04762	BLK	S2 SPLICE	1	P9 16-06461	A	GROUND
239-9	18	GXL	18-04762	BLK	P33 16-04464	A	P33 16-04464	B	GROUND
239-10	18	GXL	18-04762	BLK	J28 16-06568	A	J28 16-06568	B	GROUND
25-1	8	GXL	18-07227	PRP	S4 SPLICE	1	T1 RING TERMINAL	1	STARTER BUTTON
25-2	12	GXL	18-05749	PRP	P2 P20-1133-19-3-2	8	S4 SPLICE	1	STARTER BUTTON
25-3	12	GXL	18-05749	PRP	P2 P20-1133-19-3-2	18	S4 SPLICE	1	STARTER BUTTON
30-2	12	GXL	18-05749	ORN	P2 P20-1133-19-3-2	12	P4 P20-1158-204	4	BATTERY (+)
30-3	12	GXL	18-05749	ORN	P2 P20-1133-19-3-2	16	P62 P20-1158-202	2	BATTERY (+)
417-1	18	GXL	18-04762	PRP	P1 P20-1133-47-5-2	2	P3 P20-1063-04	10	DATA LINK J1850/J1708 (+)
418-1	18	GXL	18-04762	WHT	P1 P20-1133-47-5-2	3	P3 P20-1063-04	20	DATA LINK J1850/J1708 (-)
577-1	10	GXL	18-07064	BLK	T3 RING TERMINAL	1	P4 P20-1158-204	1	GROUND
59-1	18	GXL	18-04762	VIO	P2 P20-1133-19-3-2	19	P10 16-06461	B	XMSN TEMP GAUGE SENSOR
660-0	20	NONE	P92-1549	BARE	S22 SPLICE	1	S27 SPLICE	1	DRAINSHIELD
660-1	20	NONE	P92-1549	BARE	S22 SPLICE	1	S28 SPLICE	1	DRAINSHIELD
660-2	20	NONE	P92-1549	BARE	S22 SPLICE	1	S25 SPLICE	1	DRAINSHIELD
660-3	18	GXL	18-04762	WHT	S27 SPLICE	1	P3 P20-1063-04	37	DATA LINK J1939 (SHLD)
660-4	18	GXL	18-04762	WHT	S28 SPLICE	1	J8 P20-1072	C	DATA LINK J1939 (SHLD)
660-5	18	GXL	18-04762	WHT	S28 SPLICE	1	J43 P20-1072	C	DATA LINK J1939 (SHLD)
660-6	18	GXL	18-04762	WHT	T15 RING TERMINAL	1	S22 SPLICE	1	DATA LINK J1939 (SHLD)
661-0	20	GXL	P92-1549	YEL	S20 SPLICE	1	P3 P20-1063-04	46	CAN H
661-1	20	GXL	P92-1549	YEL	S20 SPLICE	1	J8 P20-1072	A	CAN H
661-2	20	GXL	P92-1549	YEL	S20 SPLICE	1	J43 P20-1072	A	CAN H
662-0	20	GXL	P92-1549	GRN	S21 SPLICE	1	P3 P20-1063-04	47	CAN L
662-1	20	GXL	P92-1549	GRN	S21 SPLICE	1	J8 P20-1072	B	CAN L
662-2	20	GXL	P92-1549	GRN	S21 SPLICE	1	J43 P20-1072	B	CAN L
93-1	18	GXL	18-04762	GRN/WH	P1 P20-1040	B	P3 P20-1063-04	40	ETHER STARTING AID
93-1	16	GXL	18-04762	LT GRN/WH	P2 P20-1133-19-3-2	2	P9 16-06461	B	AIR CONDITIONER
A239-1	18	GXL	18-04762	BLK	J7 16-04465	B	P18 16-06461	B	GROUND
A239-1	18	GXL	18-04762	PINK/WH	P2 P20-1133-19-3-2	15	P8 16-06414	A	BACKUP LIGHTS
B239-1	18	GXL	18-04762	BLK	P2 P20-1133-19-3-2	6	J7 16-04465	B	GROUND
EE25	18	GXL	18-04762	BLU/RED	P6 P20-1082	A	P3 P20-1063-04	27	ROAD SPEED SENSOR (+)
EE26	18	GXL	18-04762	BLU/ORN	P6 P20-1082	B	P3 P20-1063-04	36	ROAD SPEED SENSOR (-)
EE01-1	18	GXL	18-04762	BLK/WH	S29 SPLICE	1	P3 P20-1063-04	34	ECM COMMON 1
EE01-2	18	GXL	18-04762	BLK/WH	P1 P20-1133-47-5-2	29	S29 SPLICE	1	ECM COMMON 1
EE01-3	18	GXL	18-04762	BLK/WH	S29 SPLICE	1	P7 16-06414	A	ECM COMMON 1
EE01-4	18	GXL	18-04762	BLK/WH	P2 P20-1133-19-3-2	9	S29 SPLICE	1	ECM COMMON 1
EE02-1	18	GXL	18-04762	BLK/WH	P1 P20-1133-47-5-2	26	S29 SPLICE	1	ECM COMMON 2
EE02-2	18	GXL	18-04762	BLK/WH	S28 SPLICE	1	P3 P20-1063-04	32	DEW/ENGINE SENSOR RETURN
EE02-3	18	GXL	18-04762	BLK/WH	P12 16-06461	A	S29 SPLICE	1	COOLANT LEVEL SENSOR RETURN
EE02-4	18	GXL	18-04762	BLK/WH	P51 16-06777	11	S28 SPLICE	1	REMOTE ACCEL POSITION RETURN
EE03-1	18	GXL	18-04762	BLK/WH	P1 P20-1133-47-5-2	27	S29 SPLICE	1	ECM COMMON 3
EE03-2	18	GXL	18-04762	BLK/WH	P51 16-06777	3	S29 SPLICE	1	ECM COMMON 3
EE03-3	18	GXL	18-04762	BLK/WH	P34 16-06461	A	P3 P20-1063-04	29	ECM COMMON 3
EE03-4	18	GXL	18-04762	BLK/WH	P31 P20-1040	A	P3 P20-1063-04	33	ECM COMMON 3
EE04-1	18	GXL	18-04762	LT GRN/YEL	S5 SPLICE	1	P3 P20-1063-04	18	ENGINE BRAKE 1
EE04-2	18	GXL	18-04762	LT GRN/YEL	P1 P20-1133-47-5-2	44	S5 SPLICE	1	ENGINE BRAKE 1
EE05-1	18	GXL	18-04762	LT GRN/BLK	P1 P20-1133-47-5-2	45	P3 P20-1063-04	8	ENGINE BRAKE 2
EE06-1	18	GXL	18-04762	YEL/BLK	S5 SPLICE	1	P3 P20-1063-04	7	ENGINE BRAKE 3
EE07-1	18	GXL	18-04762	PINK	P1 P20-1133-47-5-2	7	P3 P20-1063-04	24	CRUISE RESUME/ACCEL
EE08-1	18	GXL	18-04762	BLU	P1 P20-1133-47-5-2	8	P3 P20-1063-04	16	CRUISE ON/OFF
EE10-1	18	GXL	18-04762	GRN/WH	P1 P20-1133-47-5-2	10	P3 P20-1063-04	49	STOP ENGINE LIGHT
EE12-1	18	GXL	18-04762	BLK/RED	P1 P20-1133-47-5-2	12	P3 P20-1063-04	22	ACCEL POSITION SUPPLY
EE13-1	18	GXL	18-04762	RED/ORN	P1 P20-1133-47-5-2	13	P3 P20-1063-04	1	IDLE VALIDATION OFF-IDLE
EE14-1	18	GXL	18-04762	BLU	P1 P20-1133-47-5-2	14	P3 P20-1063-04	11	IDLE VALIDATION ON-IDLE
EE15-1	18	GXL	18-04762	LT GRN	P1 P20-1133-47-5-2	15	P3 P20-1063-04	2	DIAGNOSTIC SIGNAL
EE17-1	18	GXL	18-04762	YEL	P1 P20-1133-47-5-2	17	P3 P20-1063-04	25	CRUISE SET/COAST
EE18-1	18	GXL	18-04762	GRN/WH	P51 16-06777	5	P3 P20-1063-04	4	REMOTE PTO ENABLE
EE19-1	18	GXL	18-04762	WHT/LT GRN	P1 P20-1133-47-5-2	1	P3 P20-1063-04	17	ENG FAN MANUAL OVERRIDE
EE20-1	18	GXL	18-04762	WHT	P2 P20-1133-19-3-2	3	P3 P20-1063-04	5	SERVICE BRAKE SWITCH
EE21-1	18	GXL	18-04762	RED	P2 P20-1133-19-3-2	7	P3 P20-1063-04	39	ECM SWITCHED POWER
EE22-1	18	GXL	18-04762	PINK	P1 P20-1133-47-5-2	22	P3 P20-1063-04	9	CAB ACCEL POSITION
EE23-1	18	GXL	18-04762	GRN/BLU	P1 P20-1133-47-5-2	23	P3 P20-1063-04	23	ACCEL POSITION RETURN
EE24-1	18	GXL	18-04762	LT GRN	P1 P20-1133-47-5-2	24	P3 P20-1063-04	44	CHECK ENGINE LIGHT
EE25-1	18	GXL	18-04762	GRN	P1 P20-1133-47-5-2	35	P3 P20-1063-04	15	CLUTCH SWITCH
EE31-1	18	GXL	18-04762	T GRN/PINK	P32 16-06461	B	P3 P20-1063-04	28	COOLANT LEVEL SENSE
EE39-1	18	GXL	18-04762	GRN/YEL	P51 16-06777	4	P3 P20-1063-04	26	REMOTE ACCEL POSITION
EE41-1	18	GXL	18-04762	WHT/LT GRN	P34 16-06461	B	P3 P20-1063-04	38	ENGINE FAN CLUTCH DRIVER
EE43-1	18	GXL	18-04762	WHT	J7 16-04465	B	P3 P20-1063-04	8	A/C PRESSURE
EE58-1	18	GXL	18-04762	GRN	P51 16-06777	10	P3 P20-1063-04	21	REMOTE ACCEL POSITION SUPPLY
EE63-1	18	GXL	18-04762	WHT/BLK	P51 16-06777	12	P3 P20-1063-04	3	REMOTE ACCEL ENABLE
EE64-1	18	GXL	18-04762	LT/BLK	P51 16-06777	9	P3 P20-1063-04	13	TORQUE LIMIT SWITCH