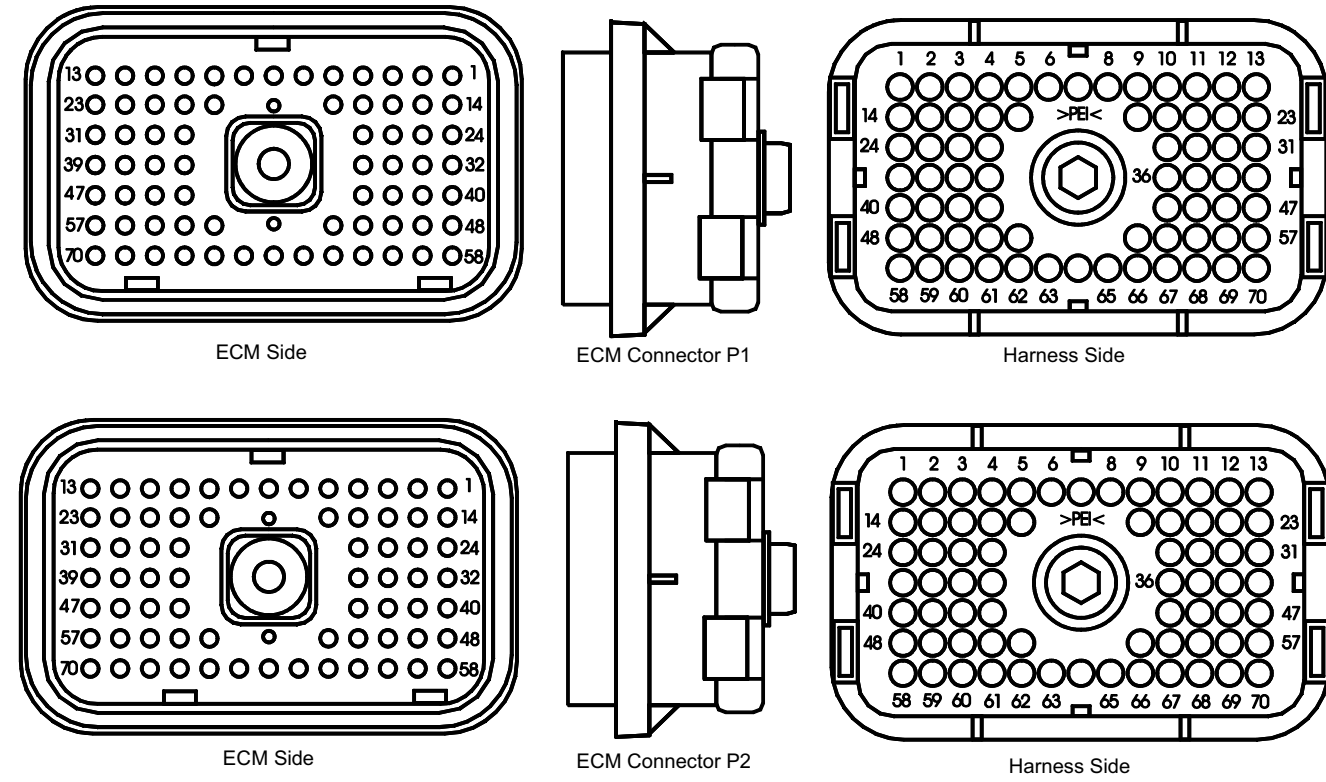
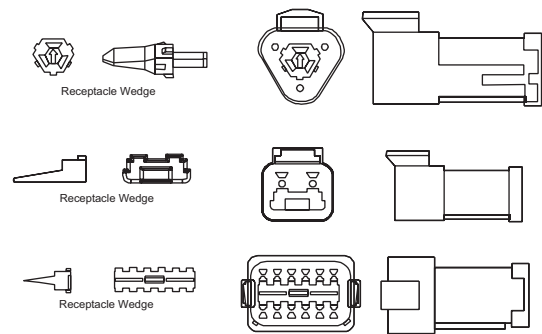


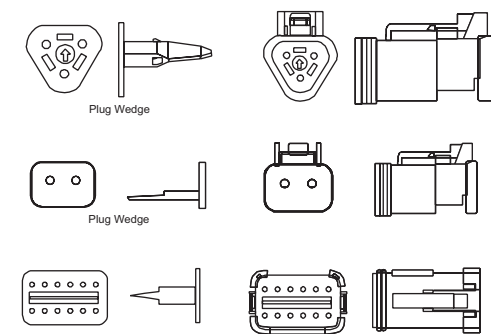
ECM Connectors



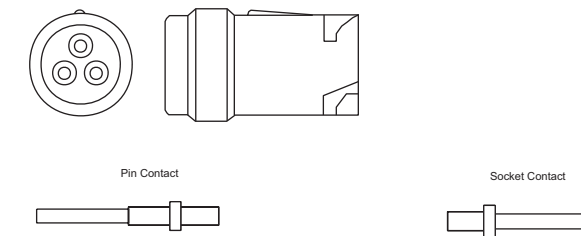
DT Connector Receptacle



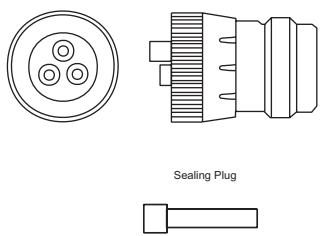
DT Connector Plug



HD Connector Receptacle



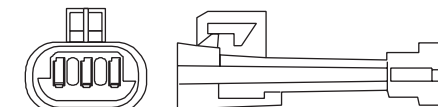
HD Connector Plug



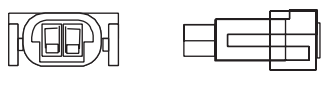
Speed/Timing Sensor Connectors



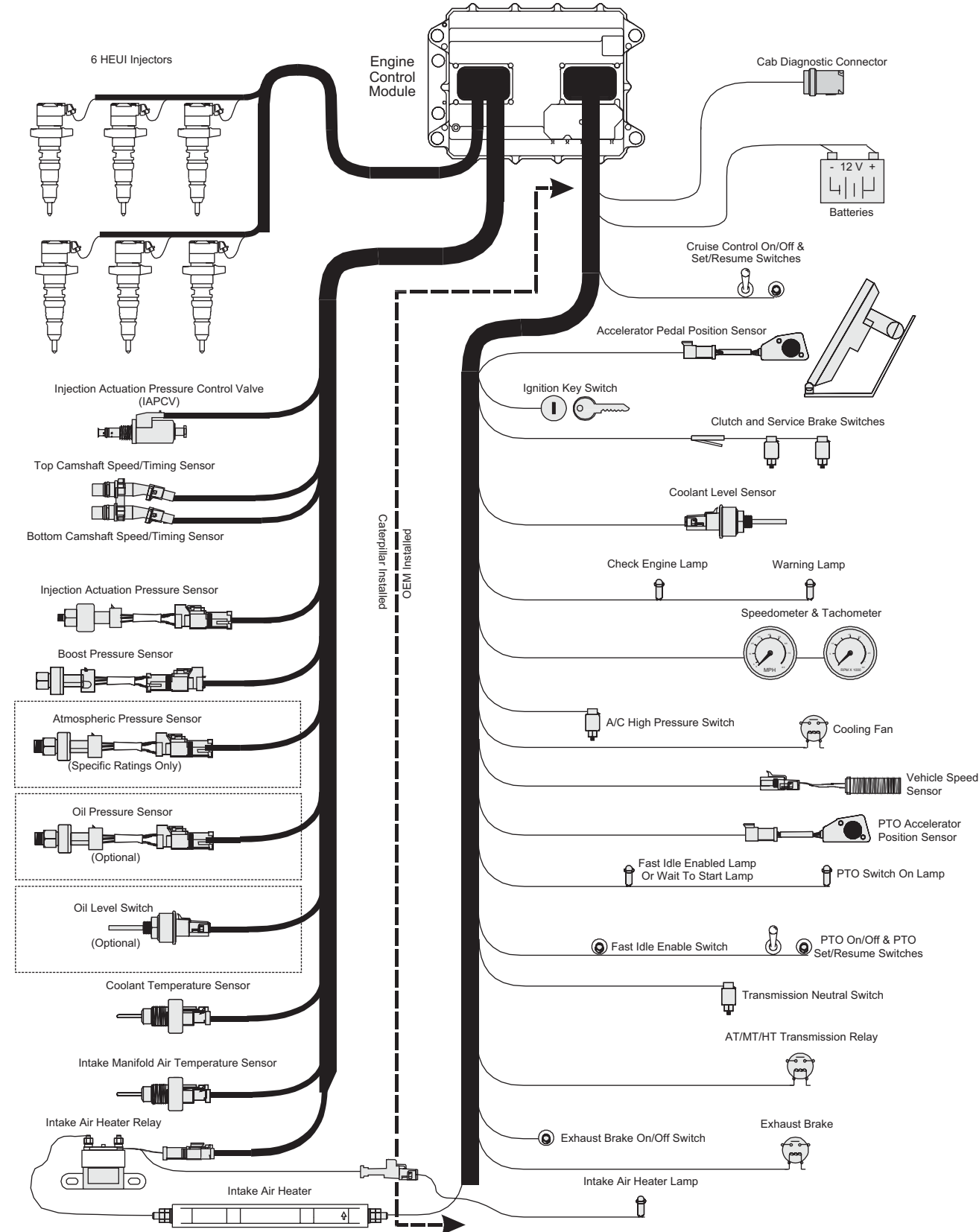
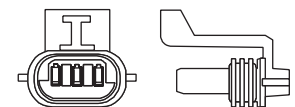
150 Series Receptacle



IAPCV Connector



150 Series Plug



© 2005 Caterpillar
All Rights Reserved

Printed in U.S.A.

Schematic

3126B and 3126E On-highway Engines Electrical System

- BKD1-UP
- G3E1-UP
- 1AJ1-UP
- 8YL1-UP
- CKM1-UP
- CRP1-UP
- 7AS1-UP
- 8SZ1-UP
- 9SZ1-UP

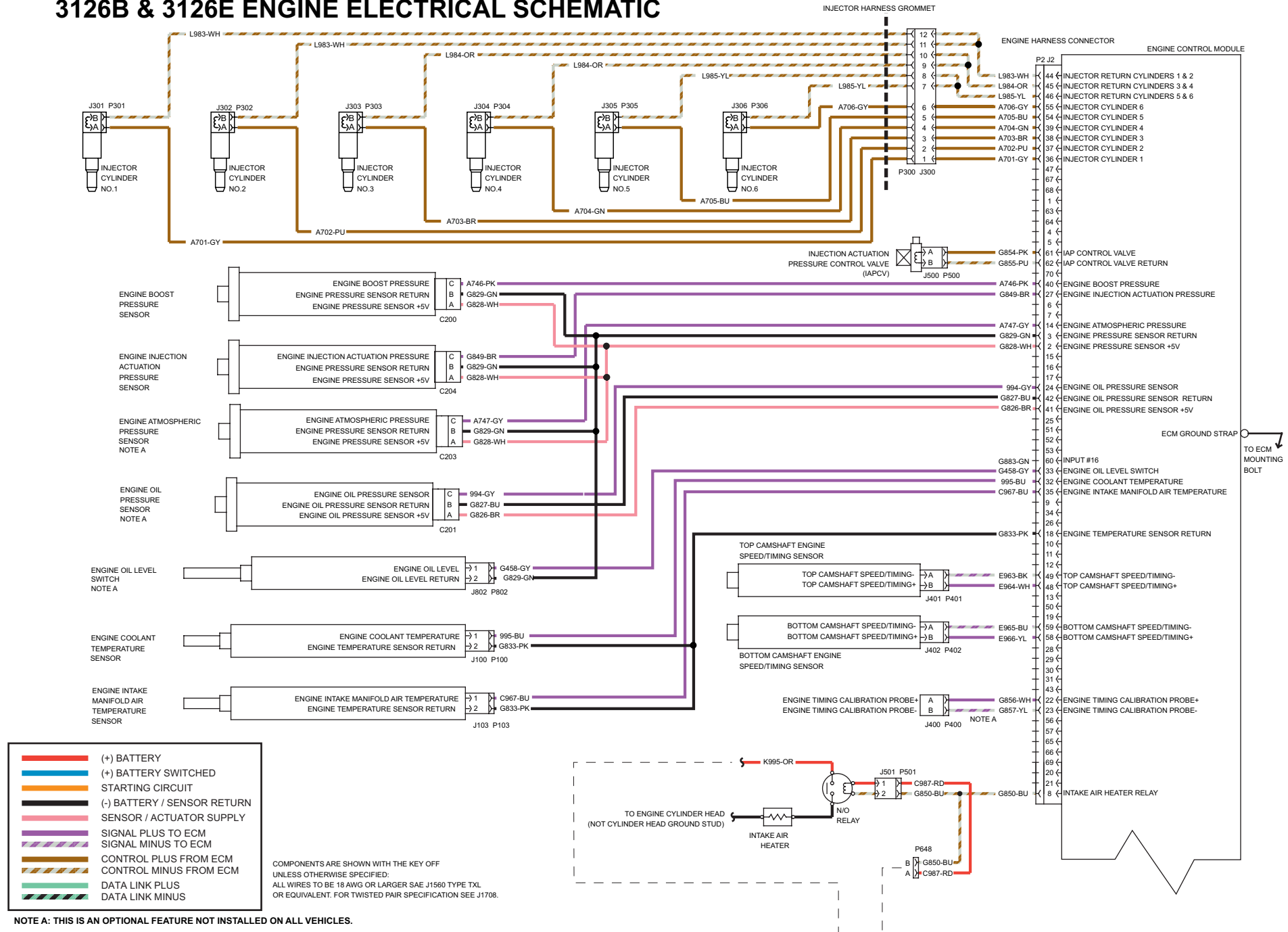
Diagnostic Code Listing

PID-FMI	Description	Flash Codes	PID-FMI	Description	Flash Codes
00-00	No Detected Faults	55	0105-03	Intake Manifold Air Temperature voltage high	38
0001-11	Cylinder #1 Injector current fault	72	0105-04	Intake Manifold Air Temperature voltage low	38
0002-11	Cylinder #2 Injector current fault	72	0105-11	Very High Intake Manifold Air Temperature	64
0003-11	Cylinder #3 Injector current fault	73	0108-03	Barometric Pressure voltage high	26
0004-11	Cylinder #4 Injector current fault	73	0108-04	Barometric Pressure voltage low	26
0005-11	Cylinder #5 Injector current fault	74	0110-00	High Coolant Temperature Warning	61
0006-11	Cylinder #6 Injector current fault	74	0110-03	Coolant Temperature voltage high	27
0022-11	Primary to Secondary Engine Speed Signal Calibration	42	0110-04	Coolant Temperature voltage low	27
0022-13	Engine Speed Signal Calibration Not Performed	42	0110-11	Very High Coolant Temperature	61
0030-08	PTO Throttle signal invalid	29	0111-01	Low Coolant Level Warning	62
0030-13	PTO Throttle out of calibration	29	0111-02	Coolant Level signal invalid	12
0041-03	8 Volt Supply voltage high	21	0111-03	Coolant Level voltage high	12
0041-04	8 Volt Supply voltage low	21	0111-04	Coolant Level voltage low	12
0042-11	Injection Actuation Pressure output fault		0111-11	Very Low Coolant Level	62
0043-02	Key Switch Fault	71	0128-03	Secondary Fuel Level voltage high	
0064-02	Secondary Engine Speed loss of signal	34	0128-04	Secondary Fuel Level voltage low	
0064-11	Secondary Engine Speed no pattern	34	0164-00	Excessive Injection Actuation Pressure	17
0070-05	Inlet Air Heater current low		0164-02	Injection Actuation Pressure Signal Erratic	15
0070-08	Inlet Air Heater current high		0164-03	Injection Actuation Pressure voltage high	15
0071-00	Idle Shutdown Override	01	0164-04	Injection Actuation Pressure voltage low	15
0071-01	Idle Shutdown	47	0164-11	Injection Actuation Pressure system fault	39
0071-14	PTO Shutdown	47	0168-02	ECM Battery Power Intermittent	51
0084-00	Vehicle Overspeed Warning	41	0186-14	PTO Engine Shutdown Switch Occurrence	47
0084-01	Vehicle Speed loss of signal	31	0190-00	Engine Overspeed Warning	35
0084-02	Vehicle Speed signal invalid	31	0190-02	Primary Engine Speed Loss of Signal	34
0084-08	Vehicle Speed signal out of range	36	0190-11	Primary Engine Speed no pattern	
0084-10	Vehicle Speed signal rate of change	36	0224-11	Theft Deterrent Active	
0091-08	Throttle Position invalid	32	0224-14	Theft Deterrent Active with Engine Cranking	
0091-13	Throttle Position out of calibration	28	0231-02	J1939 Data Inconsistent	58
0096-03	Fuel Level voltage high		0231-11	J1939 Data Link Fault	58
0096-04	Fuel Level voltage low		0231-12	J1939 Device Not Responding	
0100-03	Oil Pressure voltage high	24	0232-03	5 Volt Supply voltage high	21
0100-04	Oil Pressure voltage low	24	0232-04	5 Volt Supply voltage low	21
0100-11	Very Low Oil Pressure	46	0246-11	Brake Pedal Switch #1 Fault	
0102-03	Boost Pressure voltage high	25	0247-11	Brake Pedal Switch #2 Fault	
0102-04	Boost Pressure voltage low	25	0252-11	Engine Software Incorrect	59
0102-07	Boost Pressure not responding		0253-02	Check Customer or System Parameters	56
0105-00	High Intake Manifold Air Temperature Warning	64	0253-14	Truck Manufacturer Parameter Not Programmed	

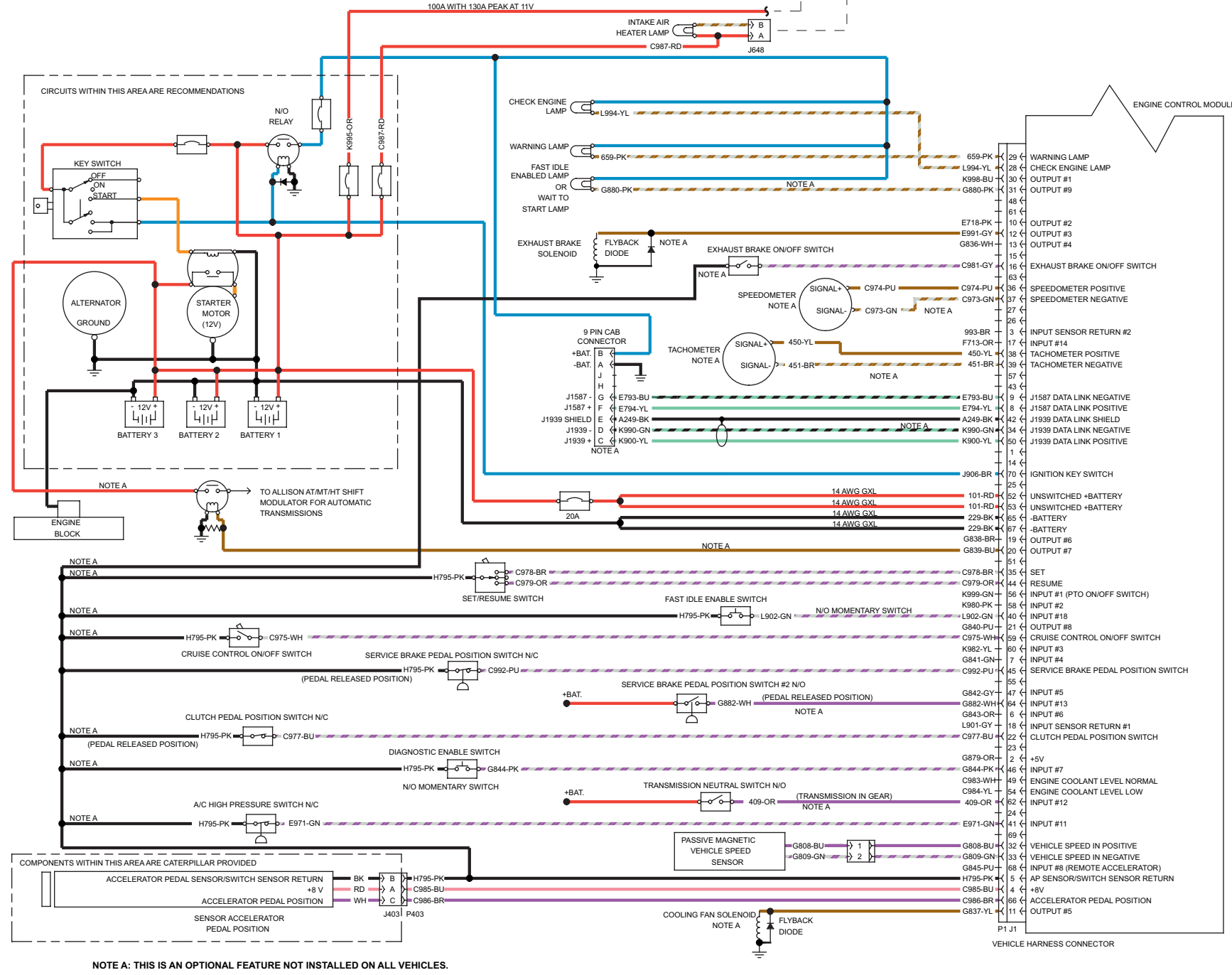
Related Electrical Service Manuals

Title	Form Number
Troubleshooting	REN1367
Systems Operation / Testing and Adjusting	REN1271

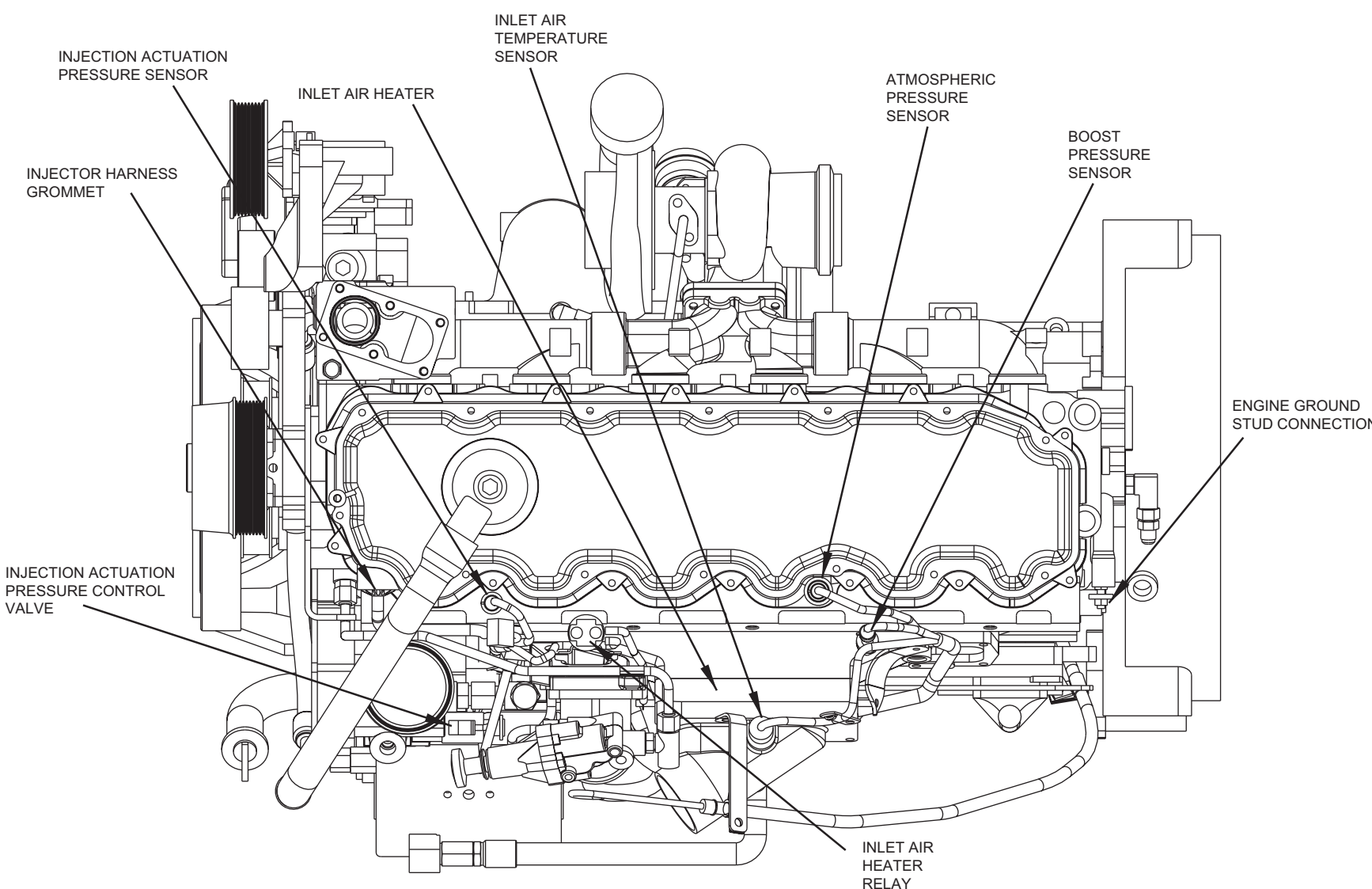
3126B & 3126E ENGINE ELECTRICAL SCHEMATIC



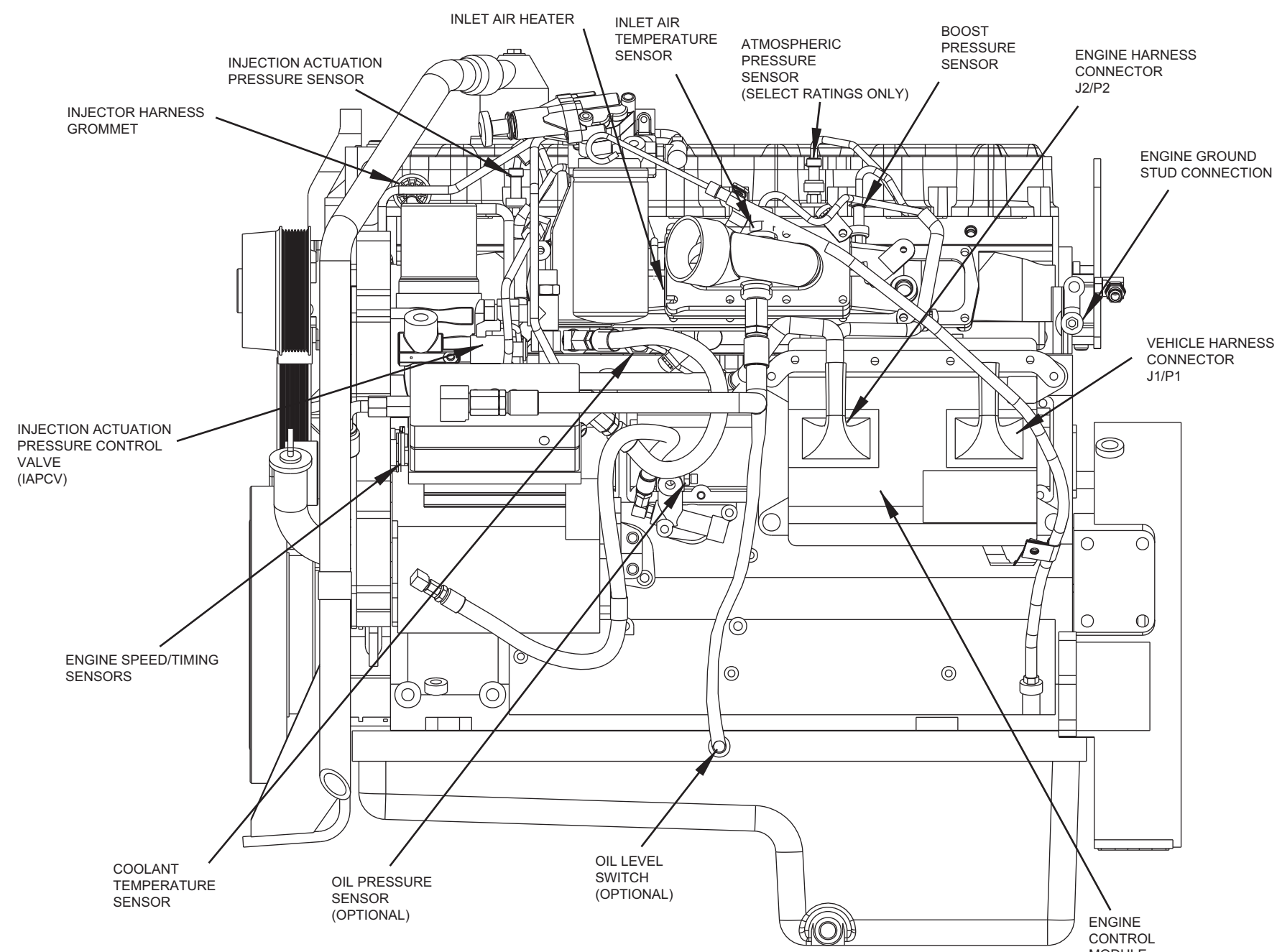
3126B & 3126E OEM VEHICLE ELECTRICAL SCHEMATIC



TOP VIEW



LEFT SIDE VIEW



REN1368-05
8 Page, Color 2